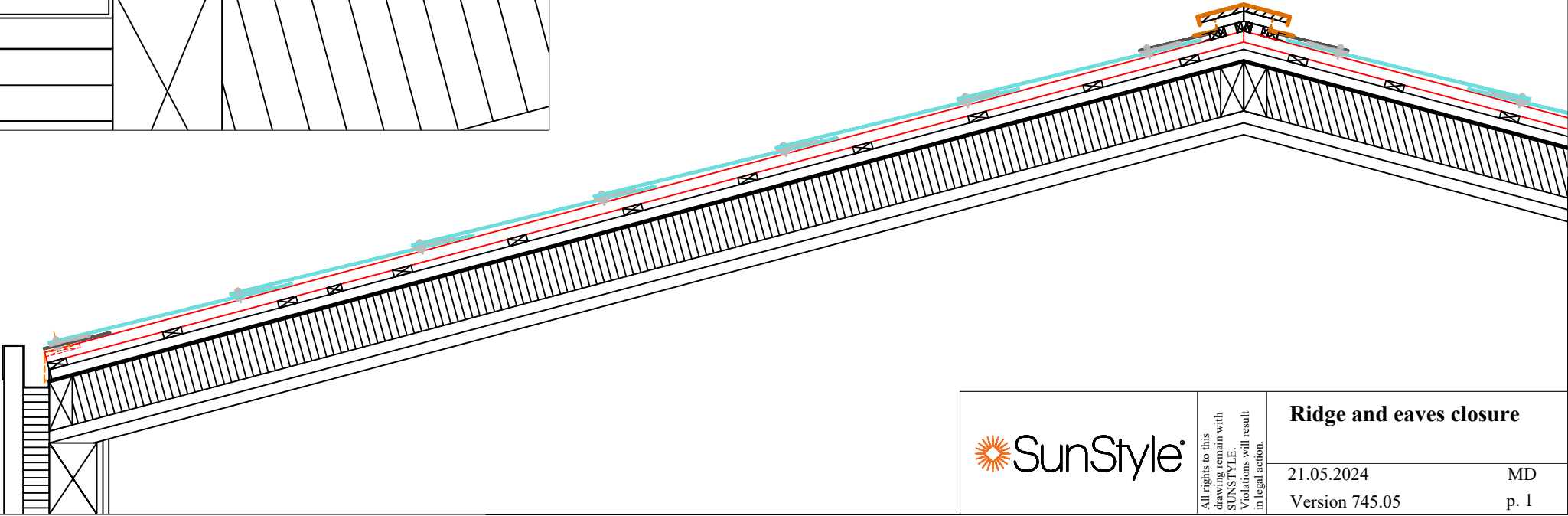
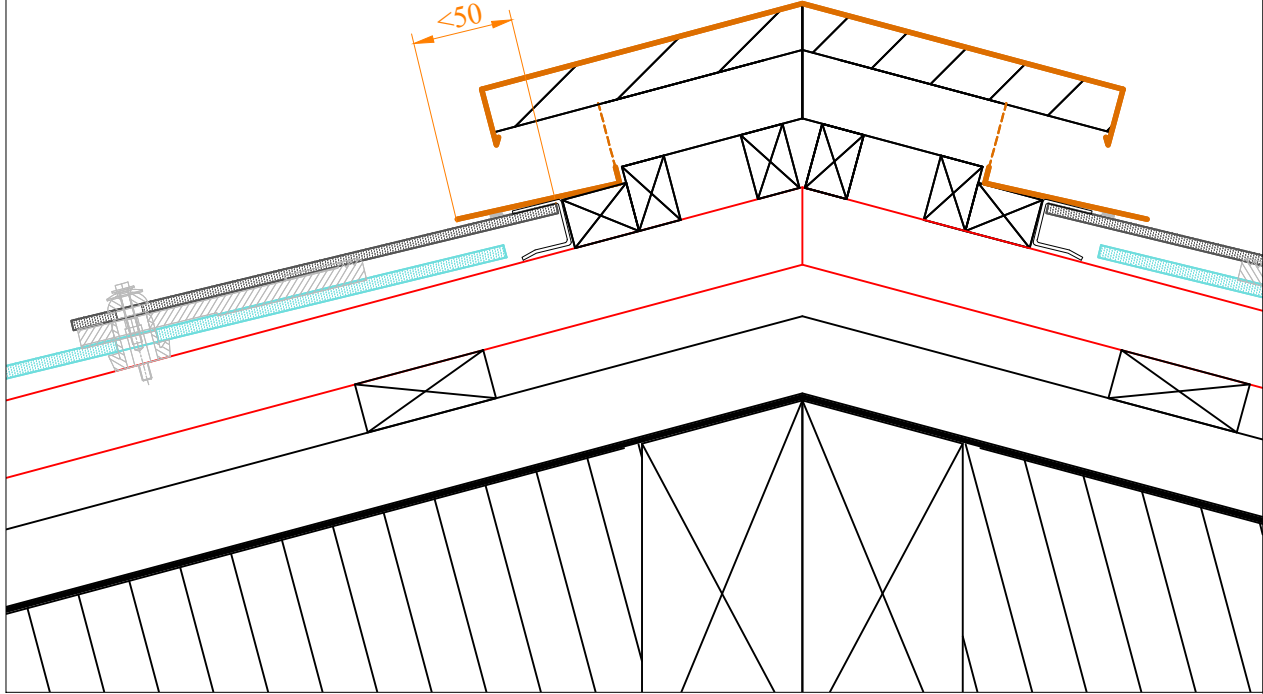
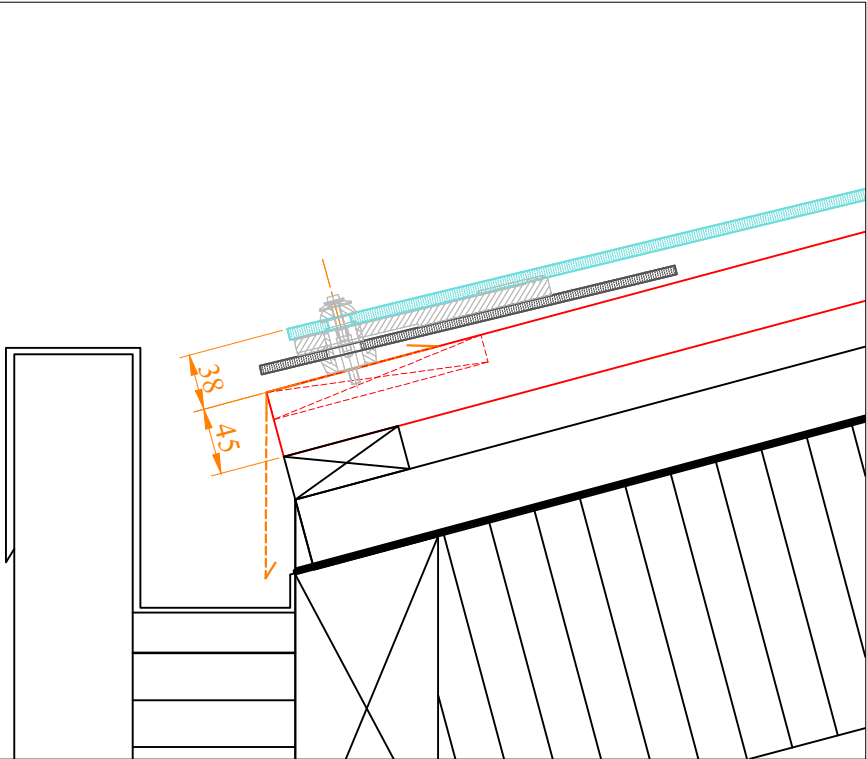
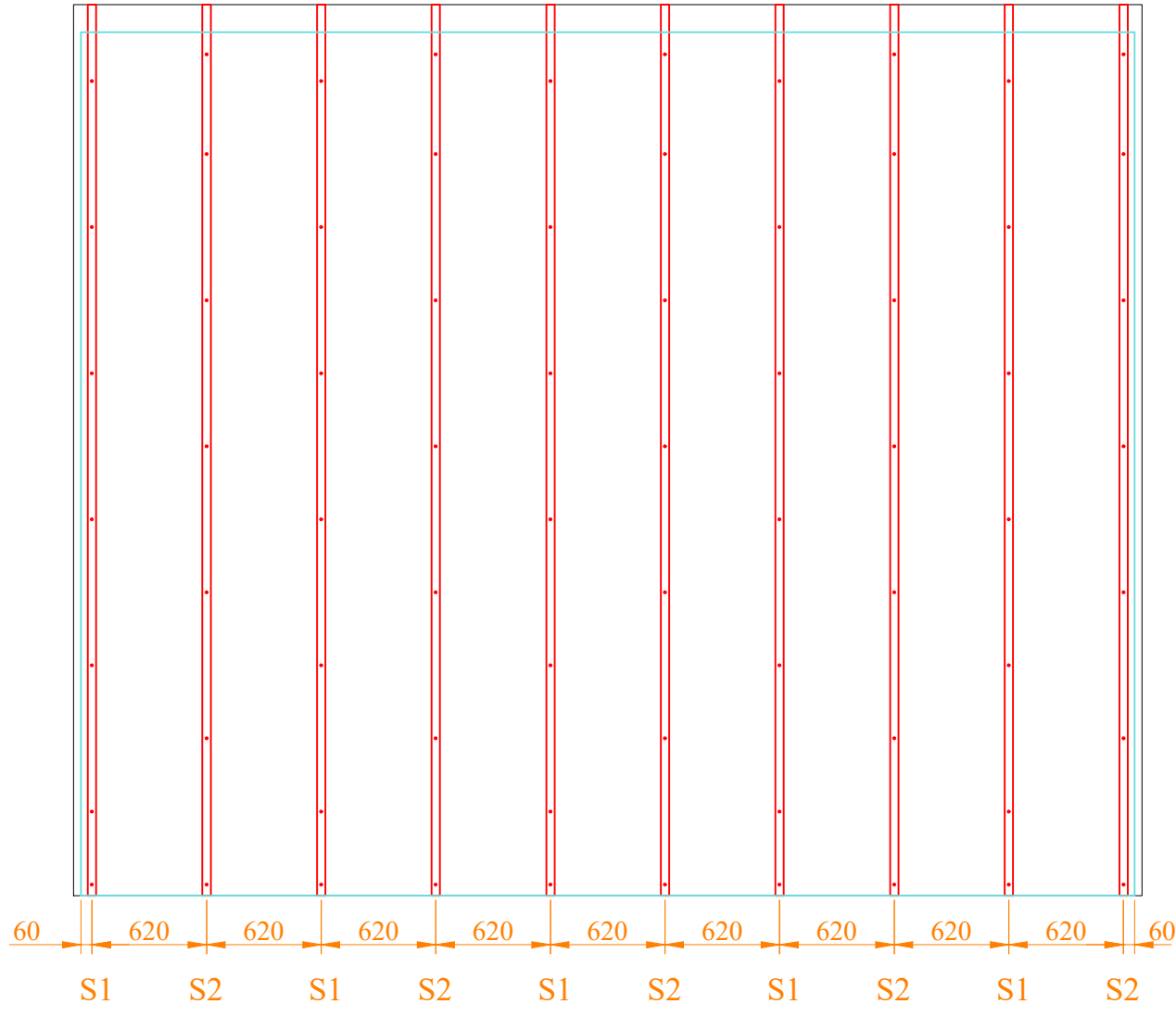
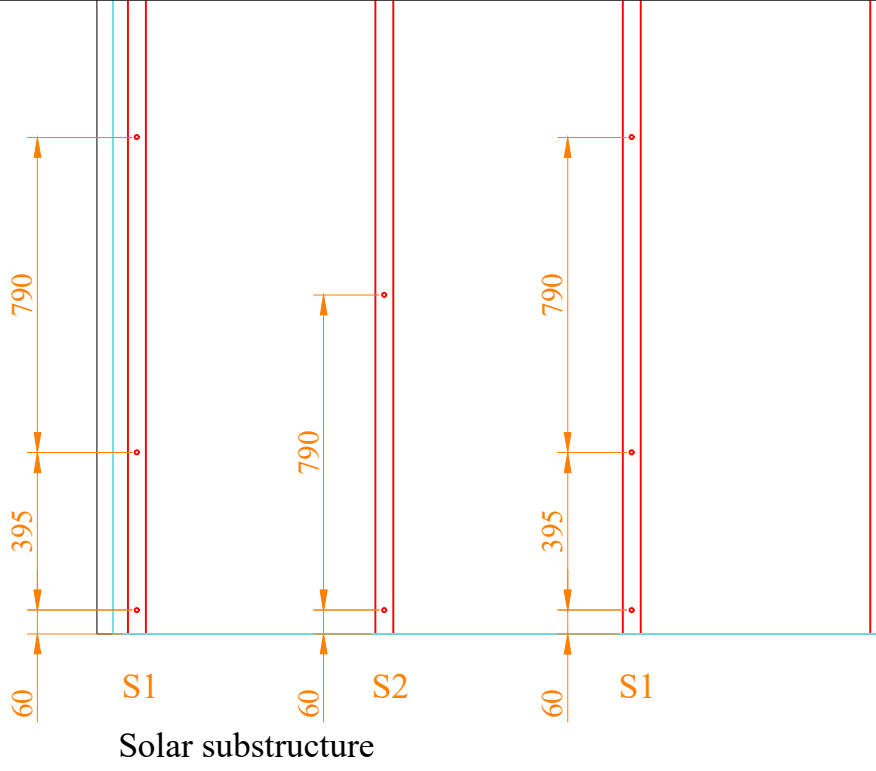
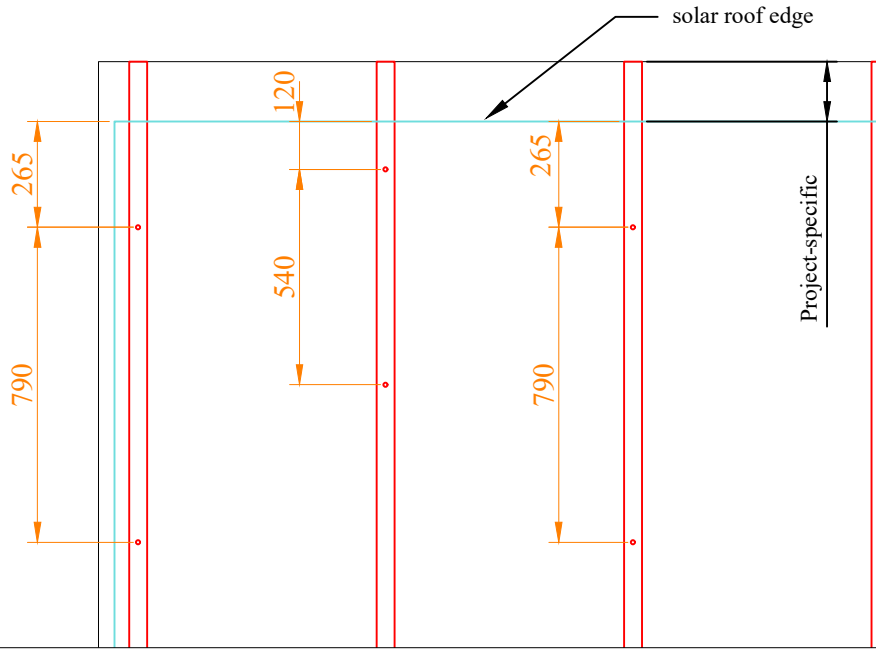


Detail Proposal



All rights to this drawing remain with SUNSTYLE. Violations will result in legal action.

Ridge and eaves closure



Solar substructure

Mounting tolerances:

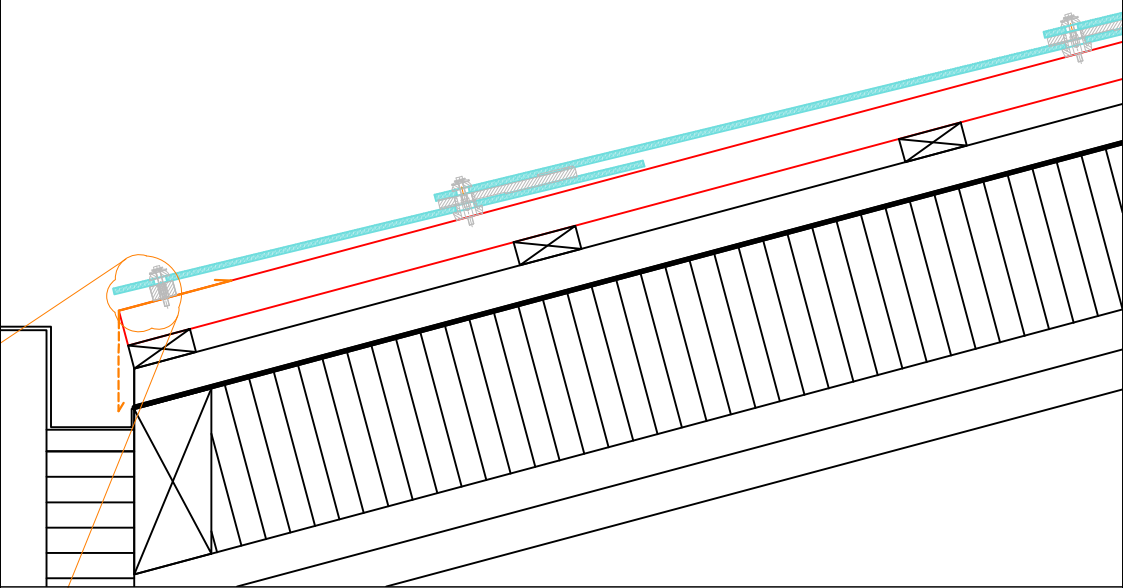
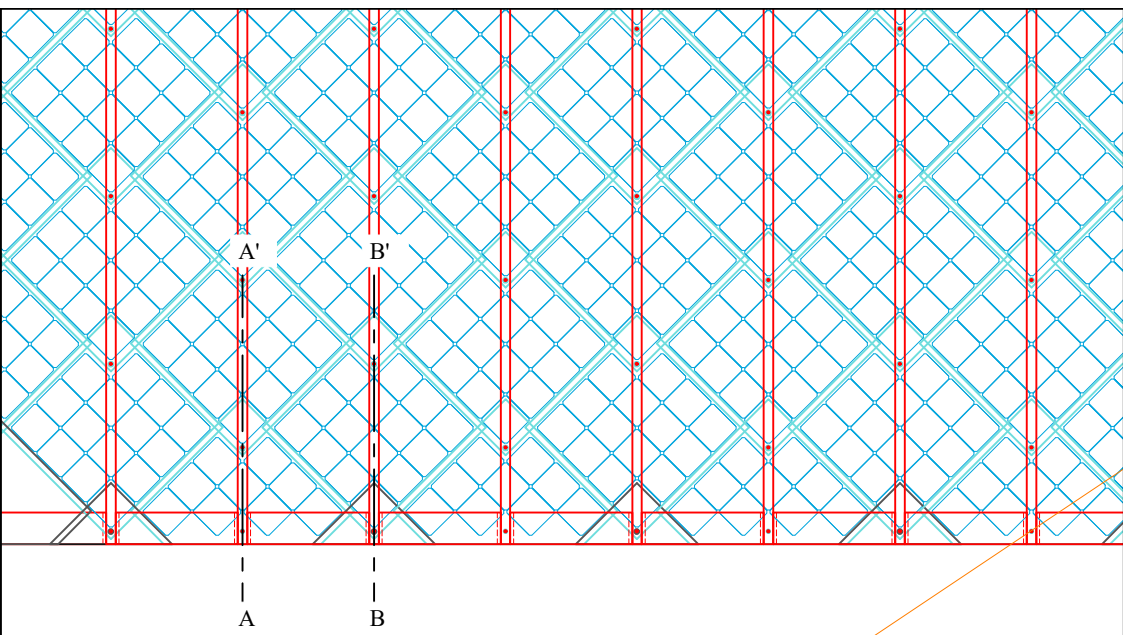
- Distance between laths horizontal: +/- 5mm
- Distance thread inserts (vertical): +/- 2mm



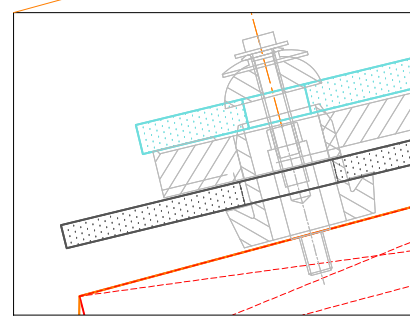
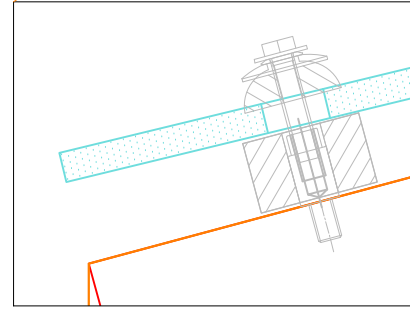
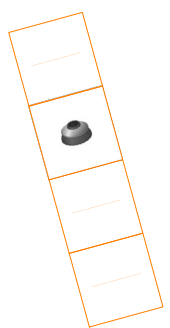
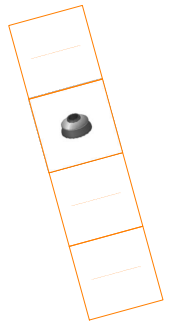
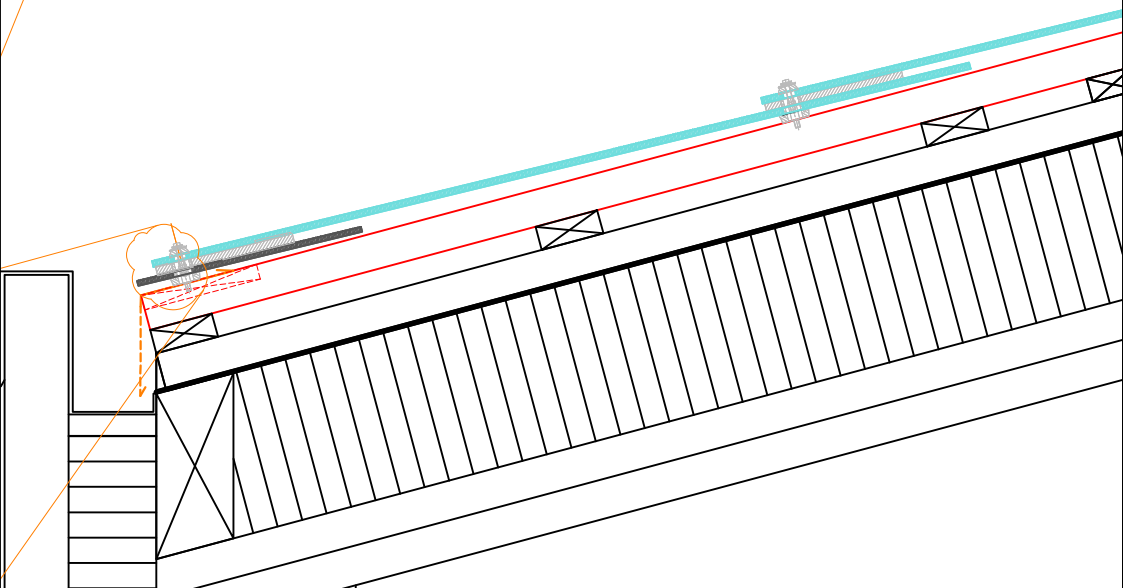
All rights to this drawing remain with SUNSTYLE. Violations will result in legal action.

Substructure:
Solar wooden lathing

Cut view A-A'

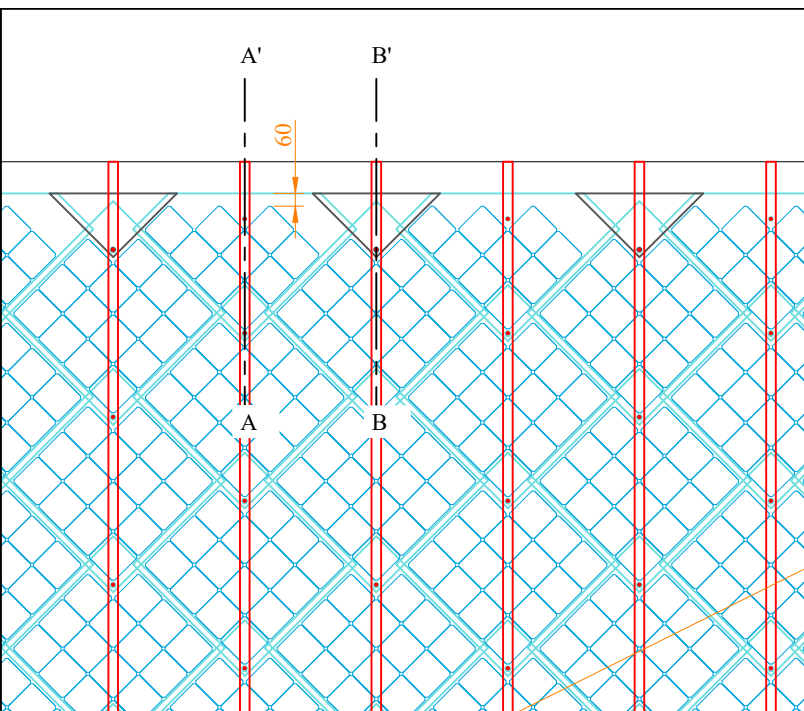


Cut view B-B'

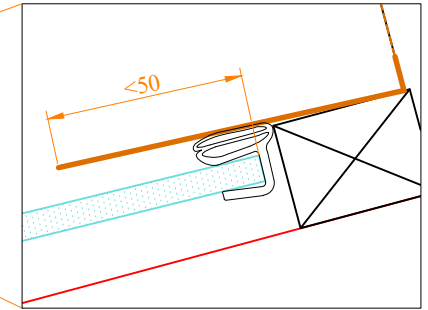
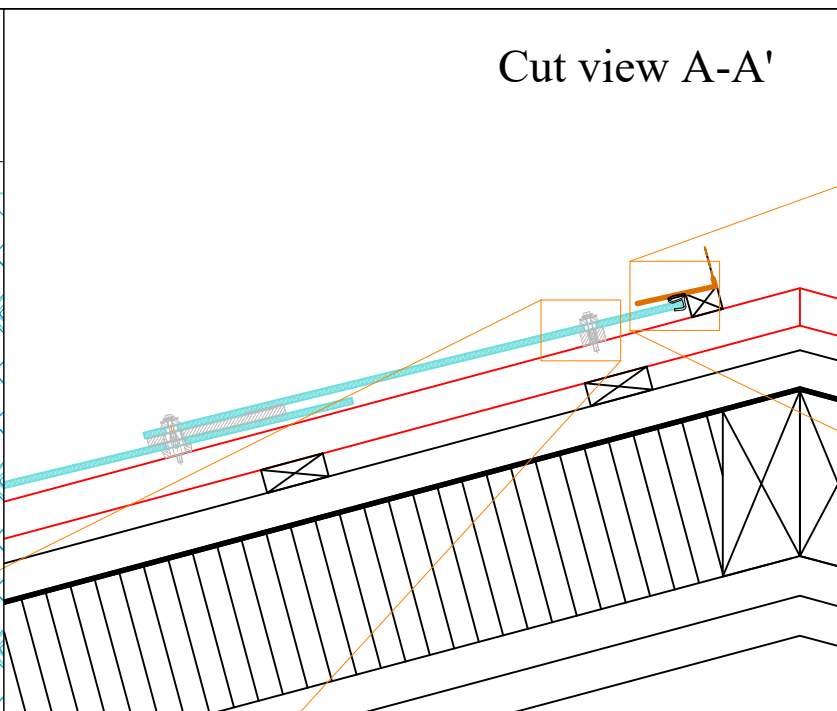


All rights to this drawing remain with SUNSTYLE. Violations will result in legal action.

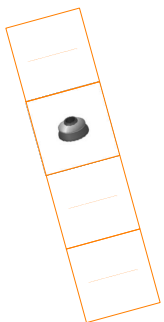
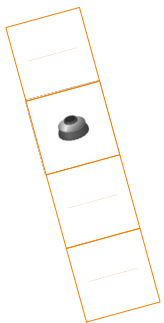
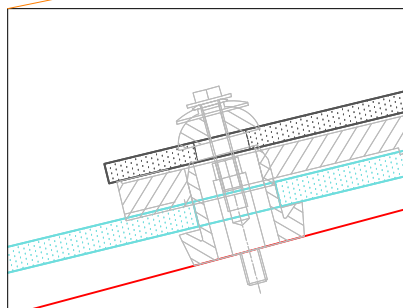
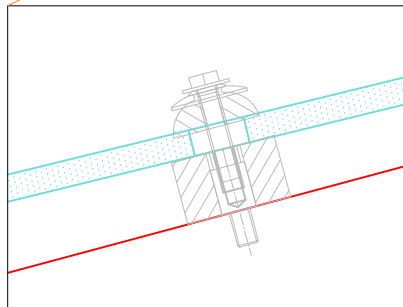
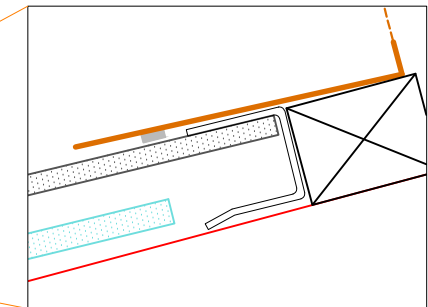
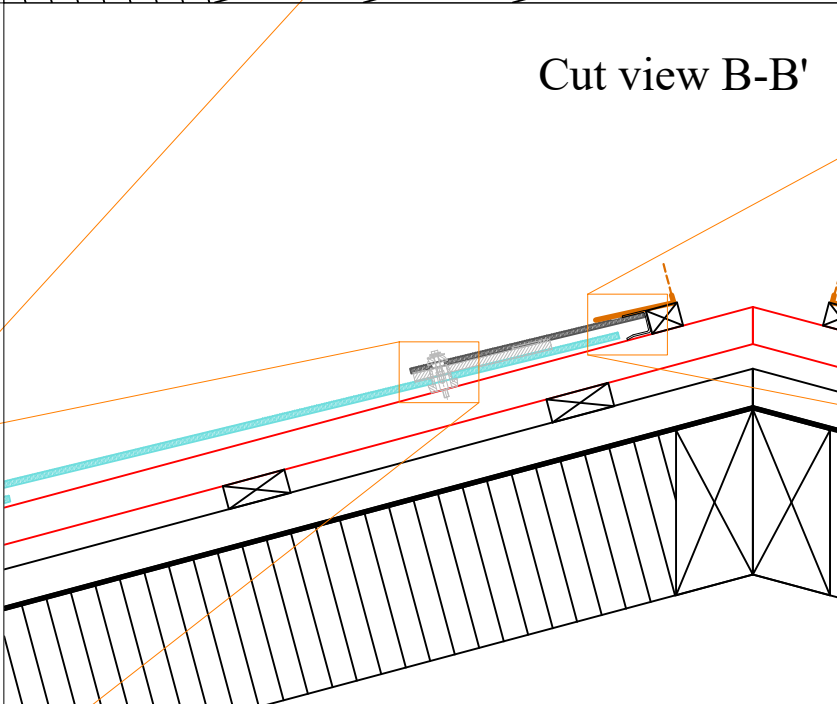
Fixing solar shingles in the eaves area



Cut view A-A'



Cut view B-B'



All rights to this drawing remain with SUNSTYLE. Violations will result in legal action.

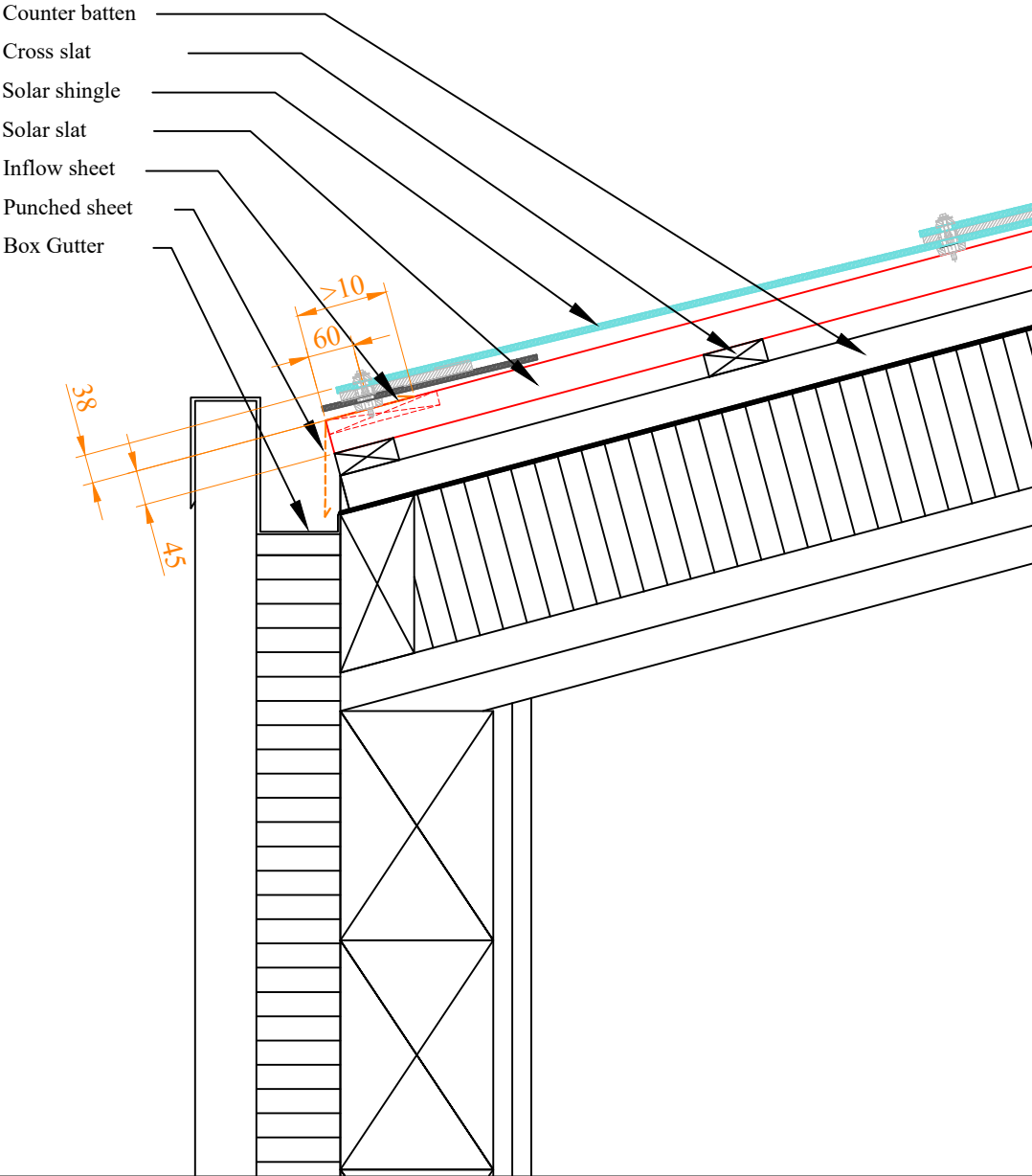
Fixing of solar singles in the ridge area

21.05.2024
Version 745.05

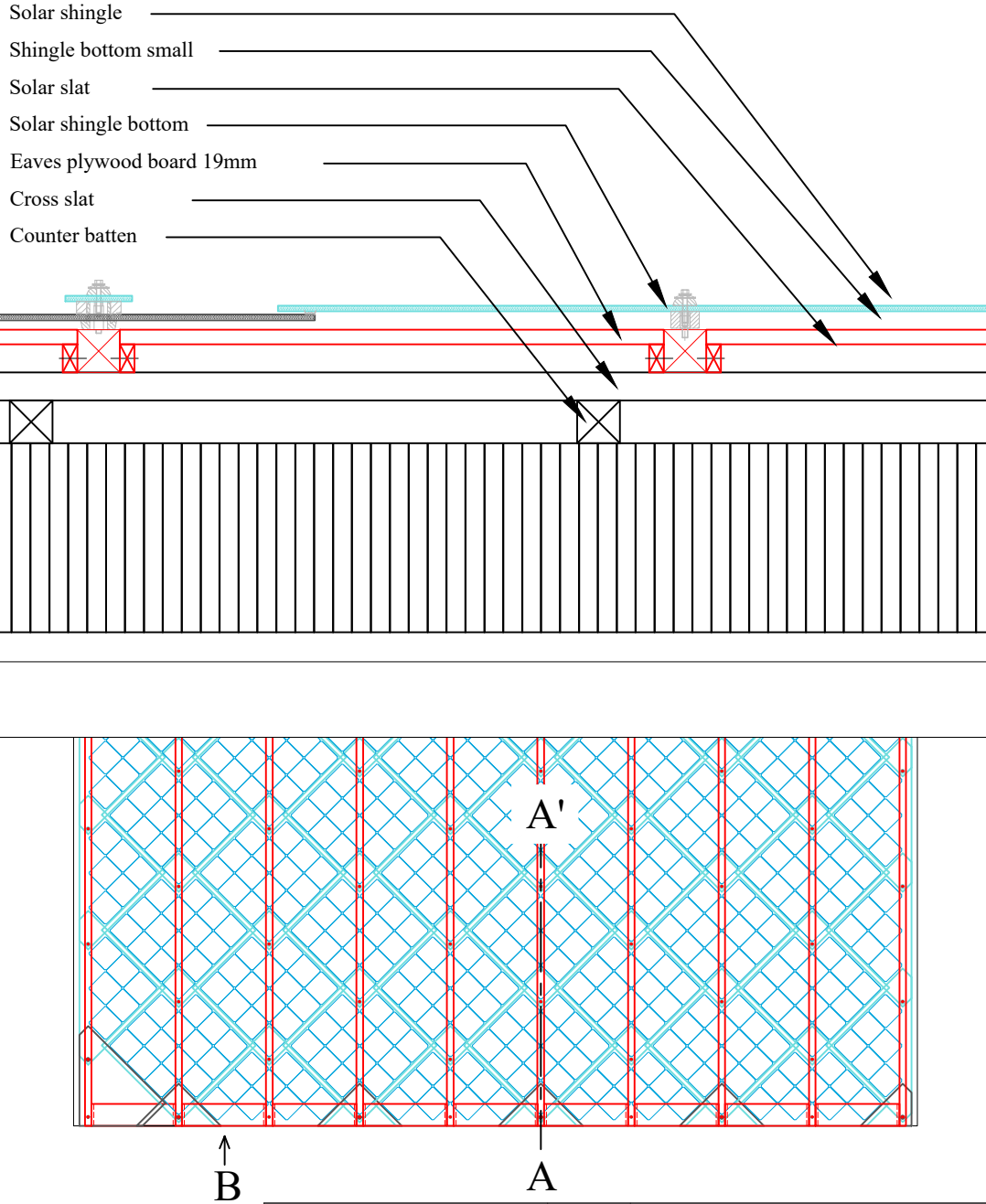
MD
p. 4

Detail proposal

Cut view A-A'



View B

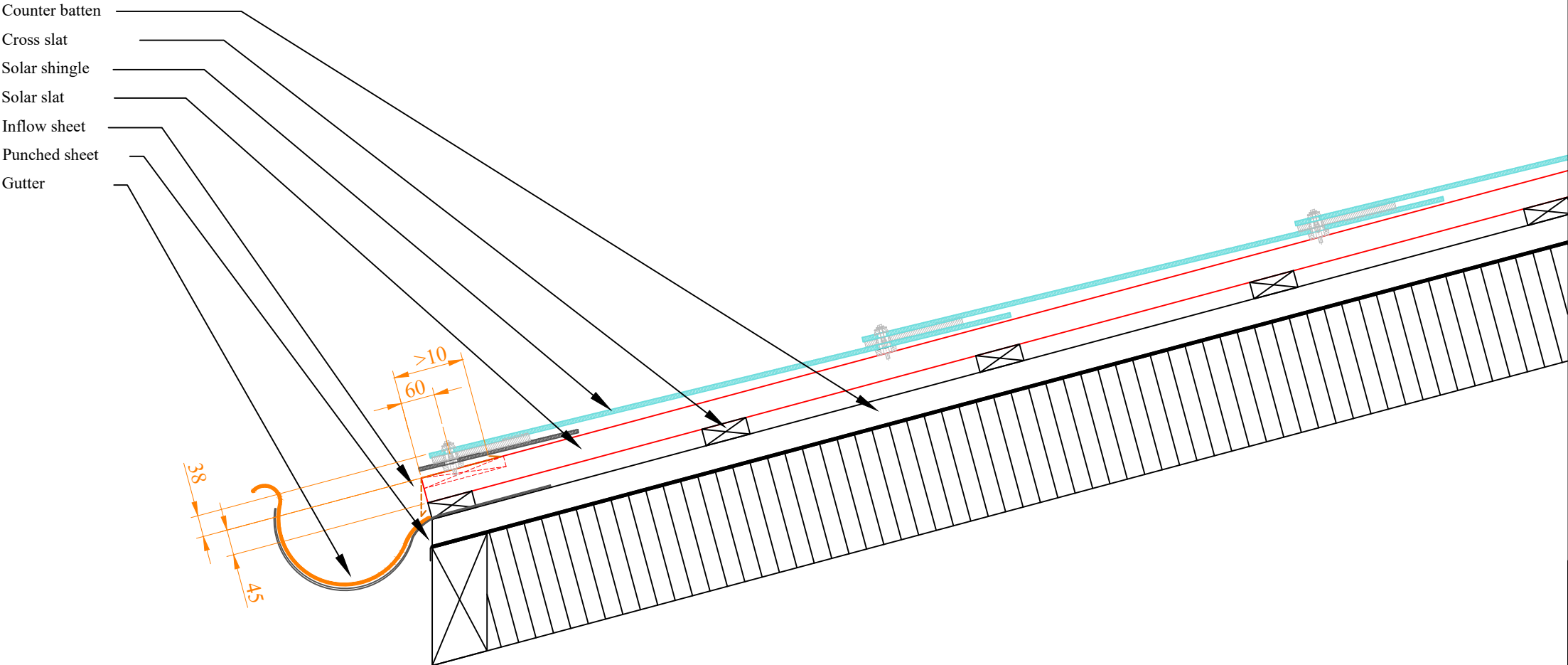


All rights to this drawing remain with SUNSTYLE. Violations will result in legal action.

Eaves closure, underroof drained in rectangular gutter

Detail proposal

Cut view



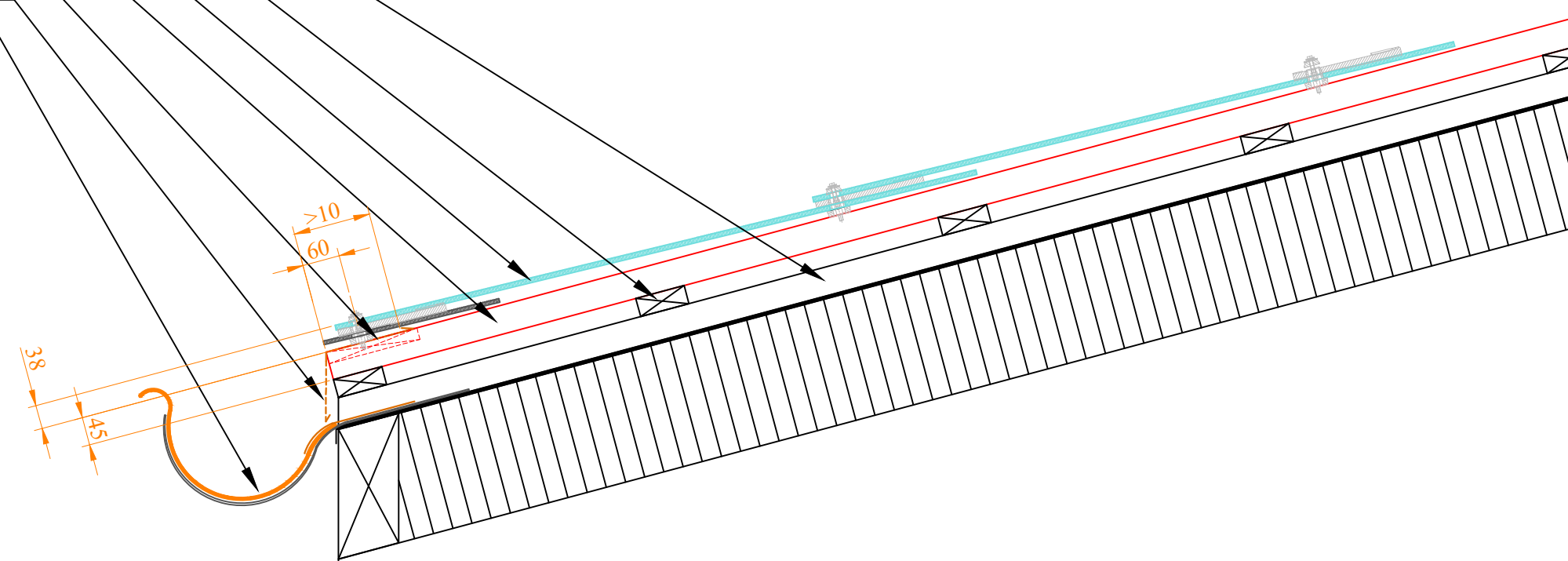
All rights to this drawing remain with SUNSTYLE. Violations will result in legal action.

Eaves closure, underroof not drained in gutter

Detail proposal

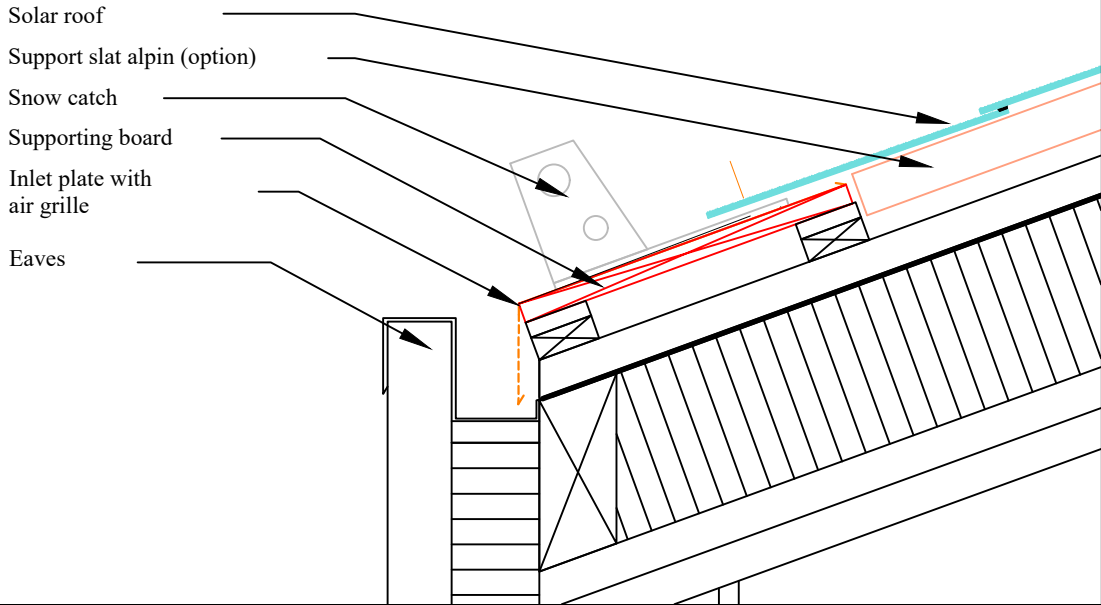
Cut view

- Counter batten
- Cross slat
- Solar shingle
- Solar slat
- Inflow sheet
- Punched sheet
- Gutter

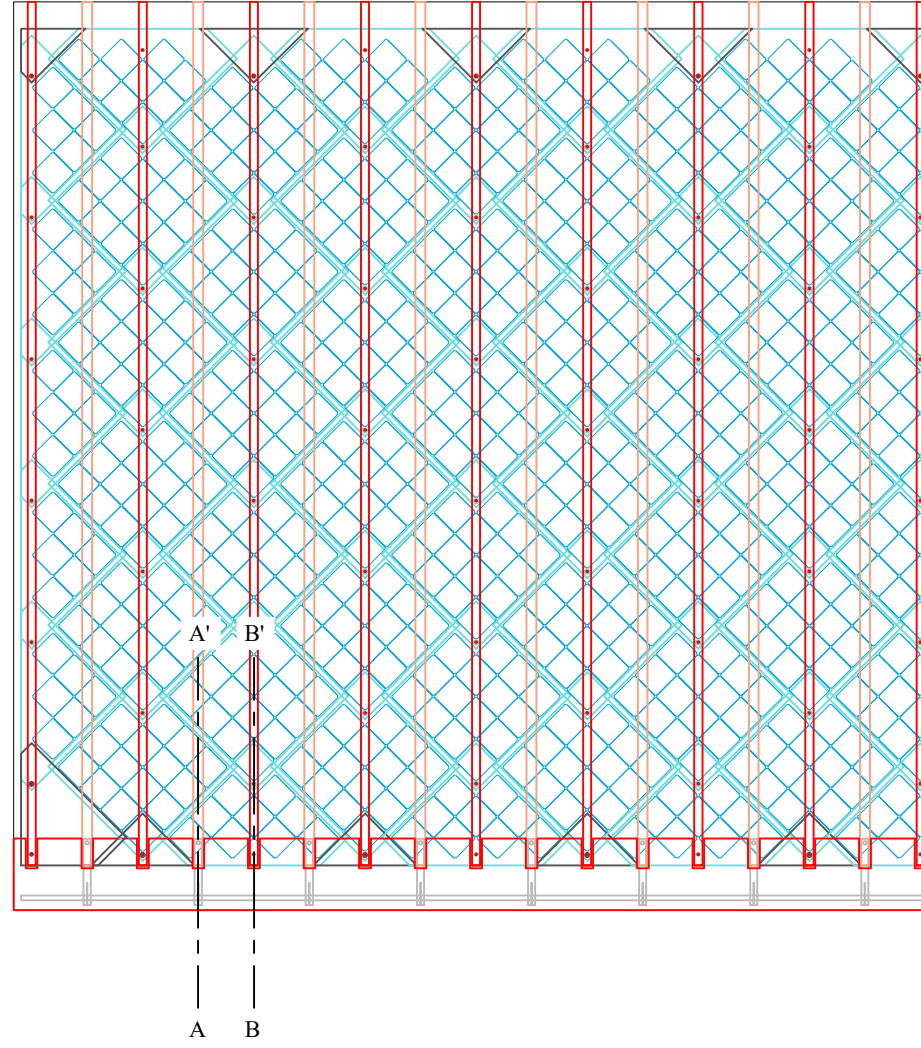
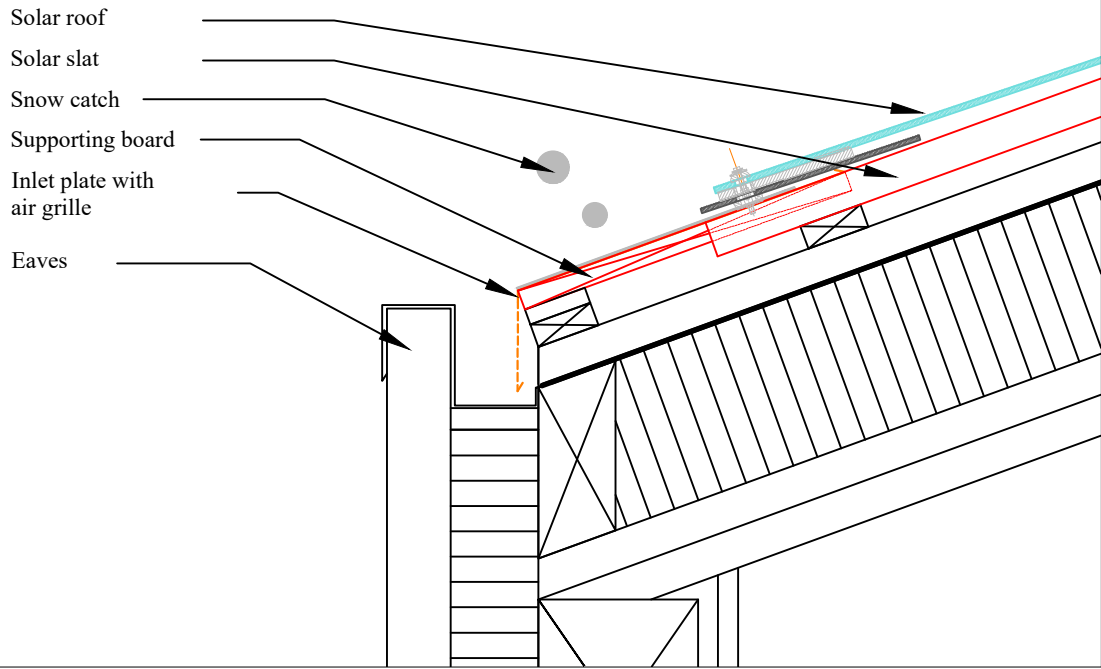


Cut view A-A'

Detail proposal



Cut view B-B'

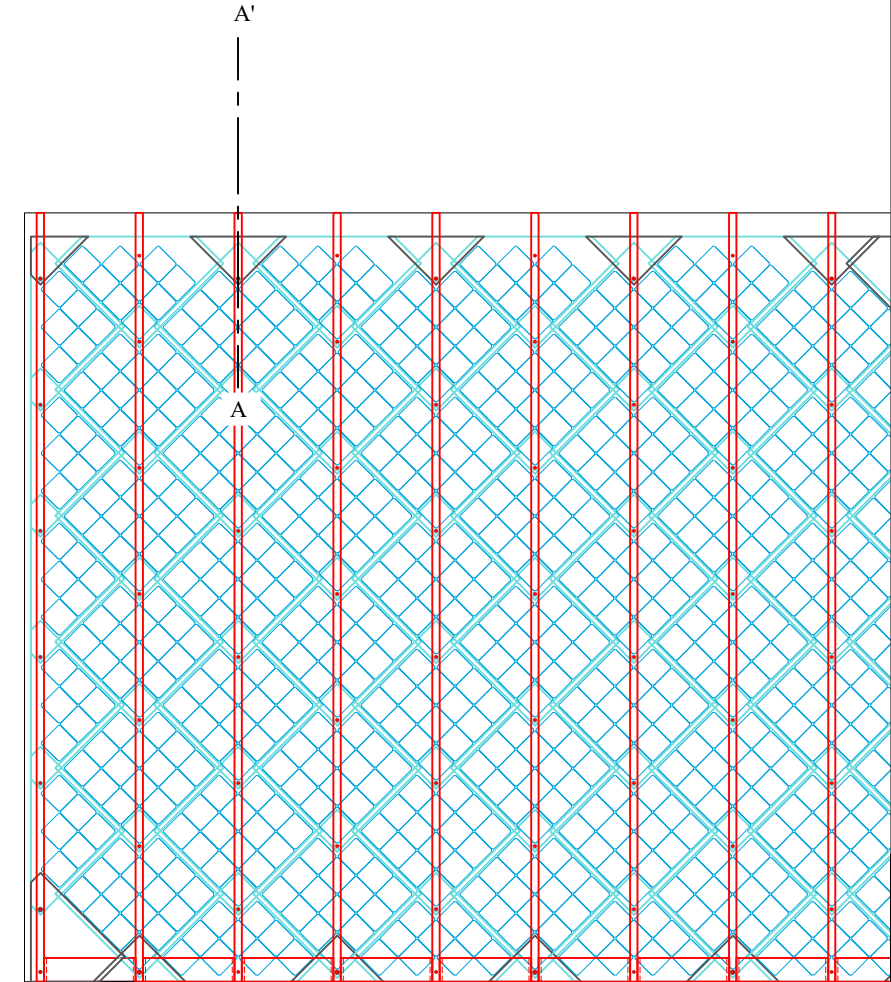
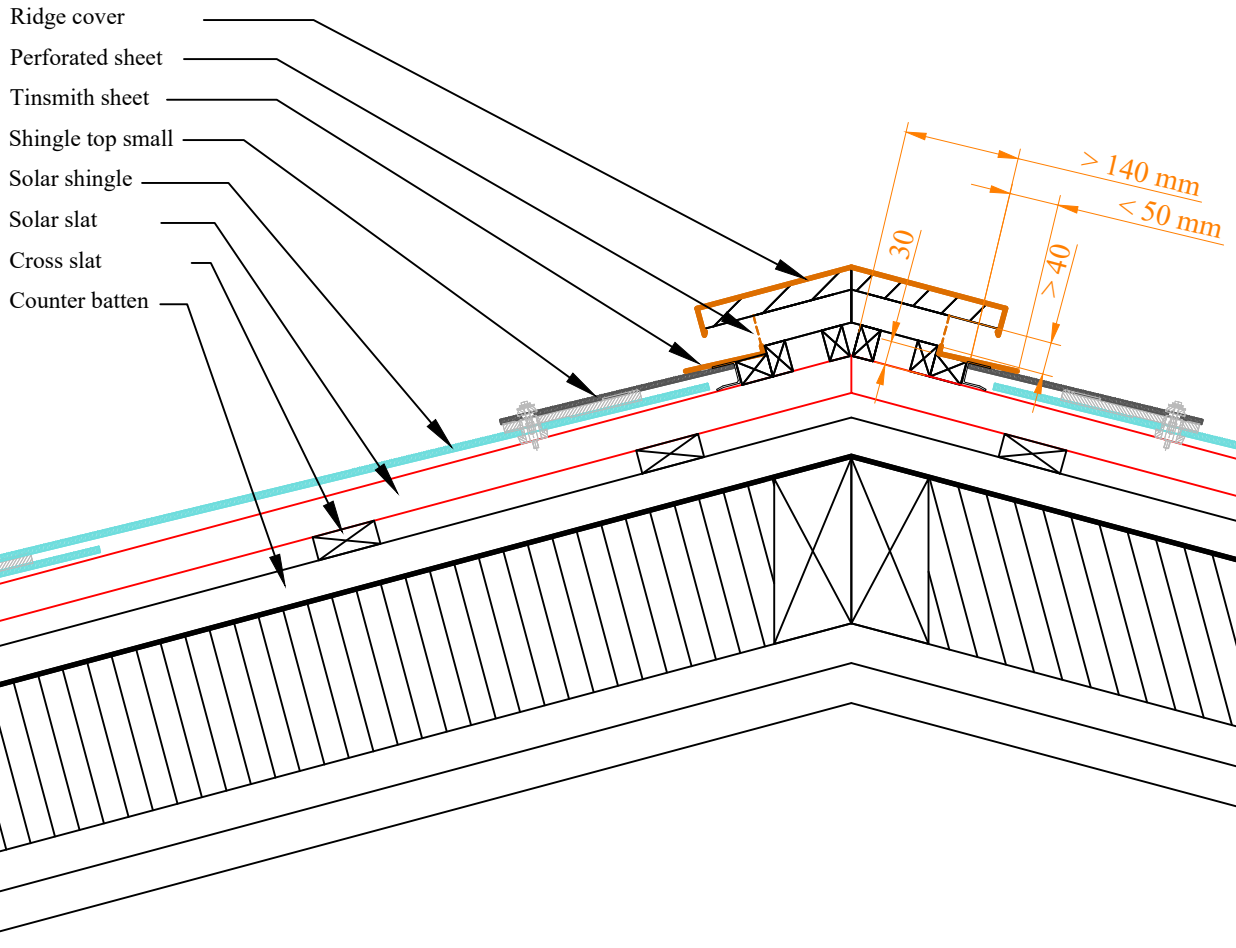


All rights to this drawing remain with SUNSTYLE. Violations will result in legal action.

Eaves closure with tube snow catcher

Cut view A-A'

Detail suggestion



All rights to this drawing remain with SUNSTYLE. Violations will result in legal action.

ridge closure ventilated

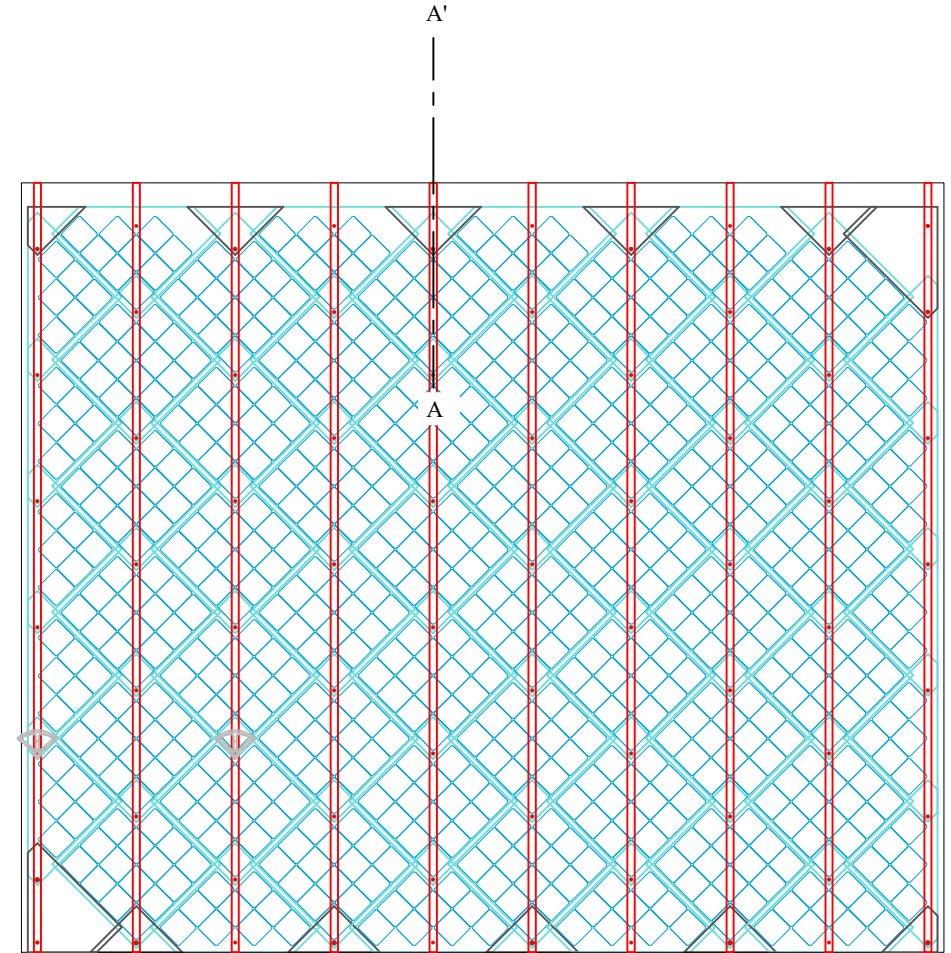
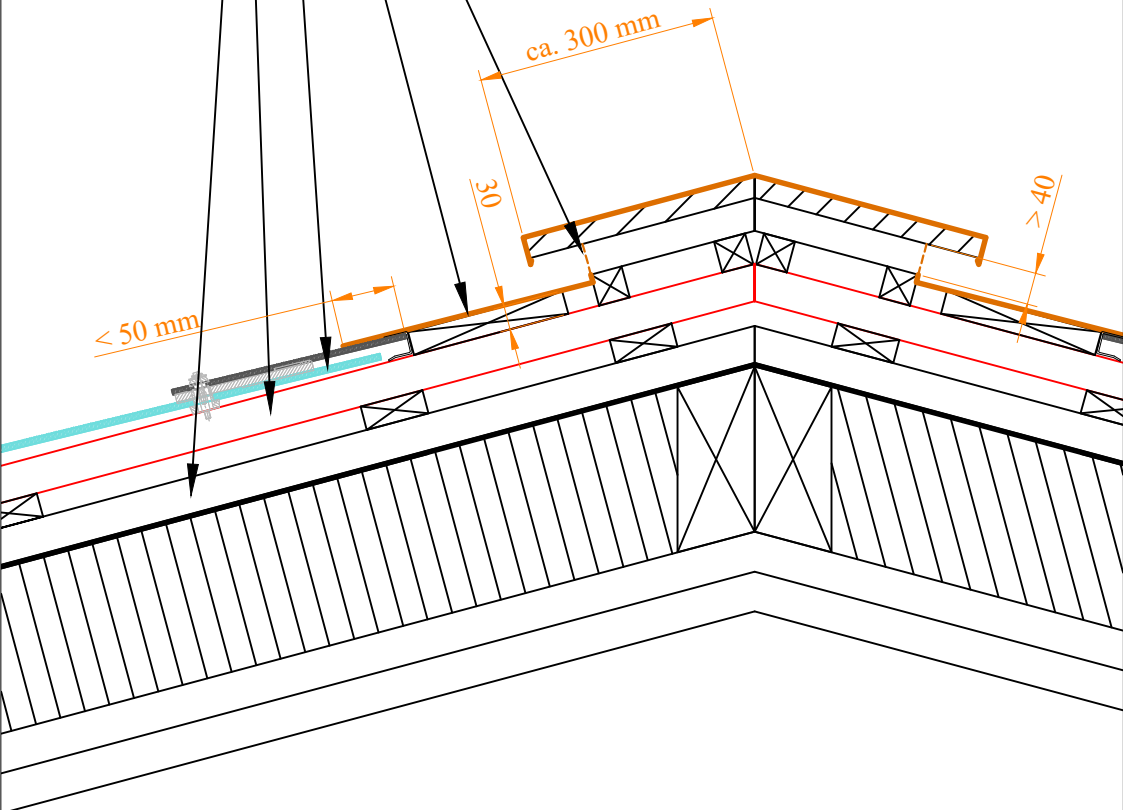
21.05.2024
Version 745.05

MD
p. 9

Cut view A-A'

Detail suggestion

- Perforated metal sheet
- Tinsmith sheet
- Solar roof
- Solar latting
- Sub roof



All rights to this drawing remain with SUNSTYLE. Violations will result in legal action.

Long ridge closure ventilated

21.05.2024
Version 745.05

MD
p. 10

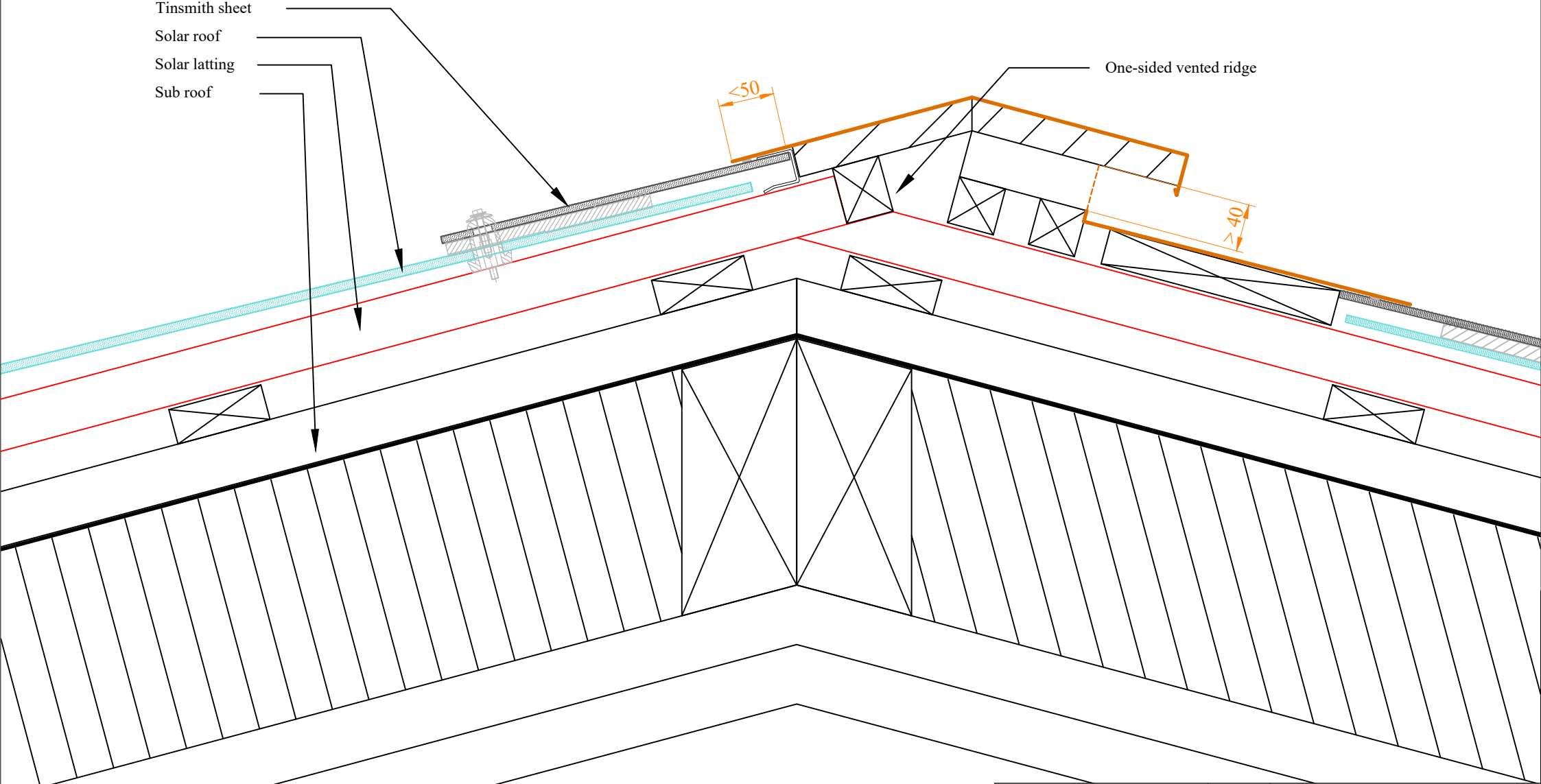
Detail Proposal

Tinsmith sheet
Solar roof
Solar latting
Sub roof

One-sided vented ridge

<50

>40



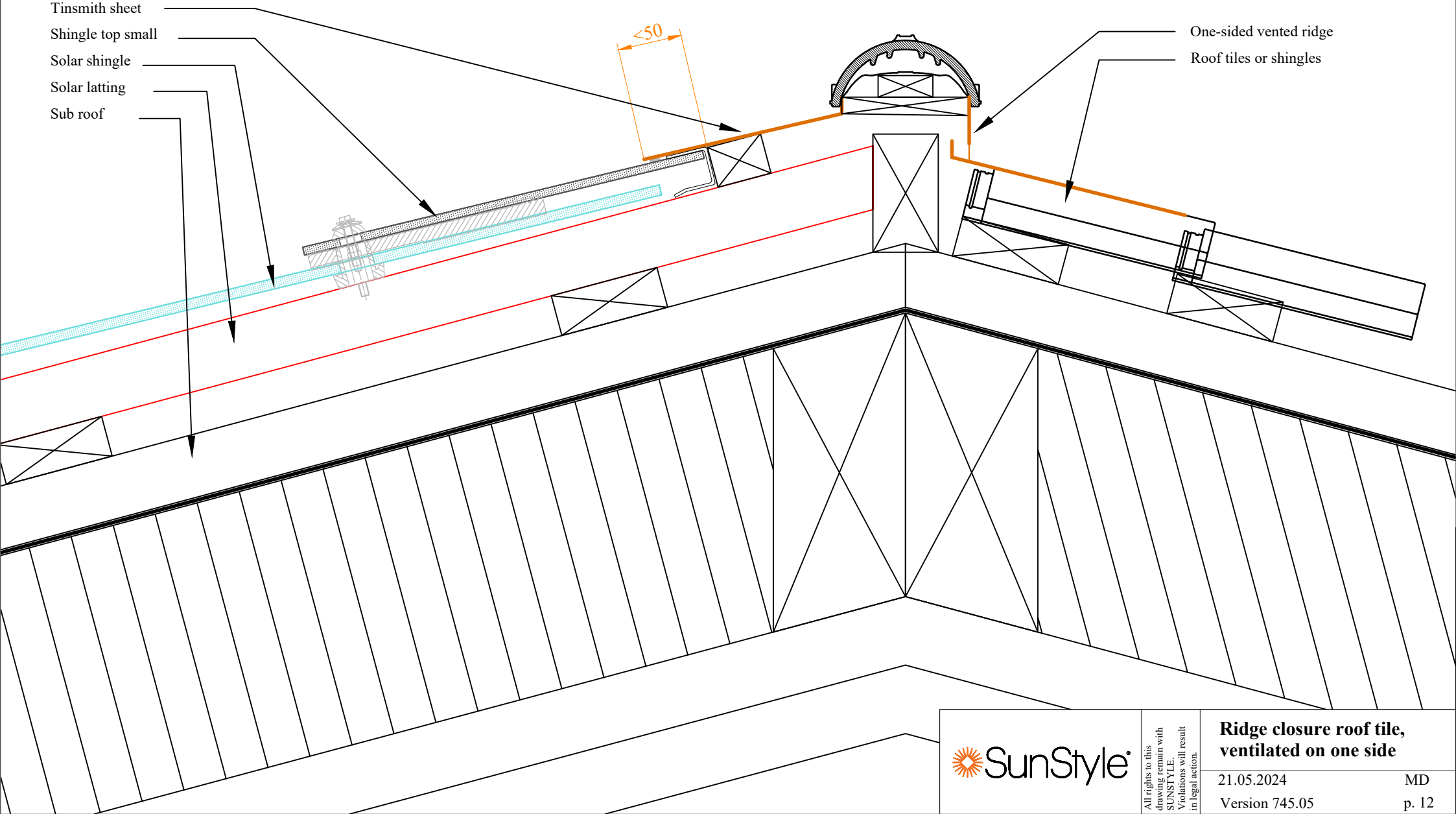
All rights to this drawing remain with SUNSTYLE. Violations will result in legal action.

Ridge closure short vented on one side

21.05.2024
Version 745.05

MD
p. 11


Solar roof SUNSTYLE with ridge detail



Tinsmith sheet
Shingle top small
Solar shingle
Solar latting
Sub roof

One-sided vented ridge
Roof tiles or shingles

<50

	All rights to this drawing remain with SUNSTYLE. Violations will result in legal action.	Ridge closure roof tile, ventilated on one side	
		21.05.2024	MD
Version 745.05		p. 12	

Detail Proposal

shingle top small or cut-to-size

solar shingle

solar slat

cross-slat

counter batten

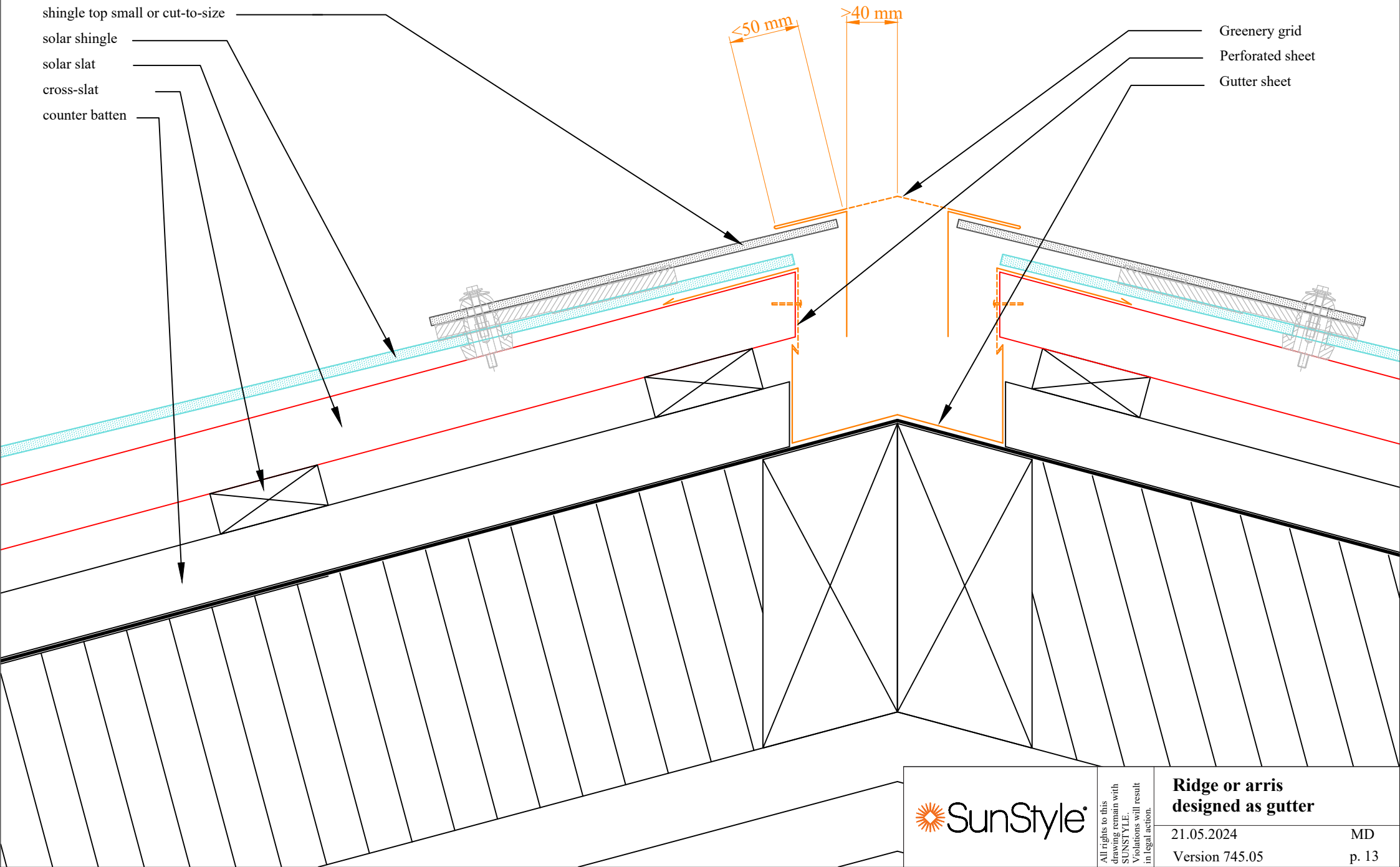
<50 mm

>40 mm

Greenery grid

Perforated sheet

Gutter sheet

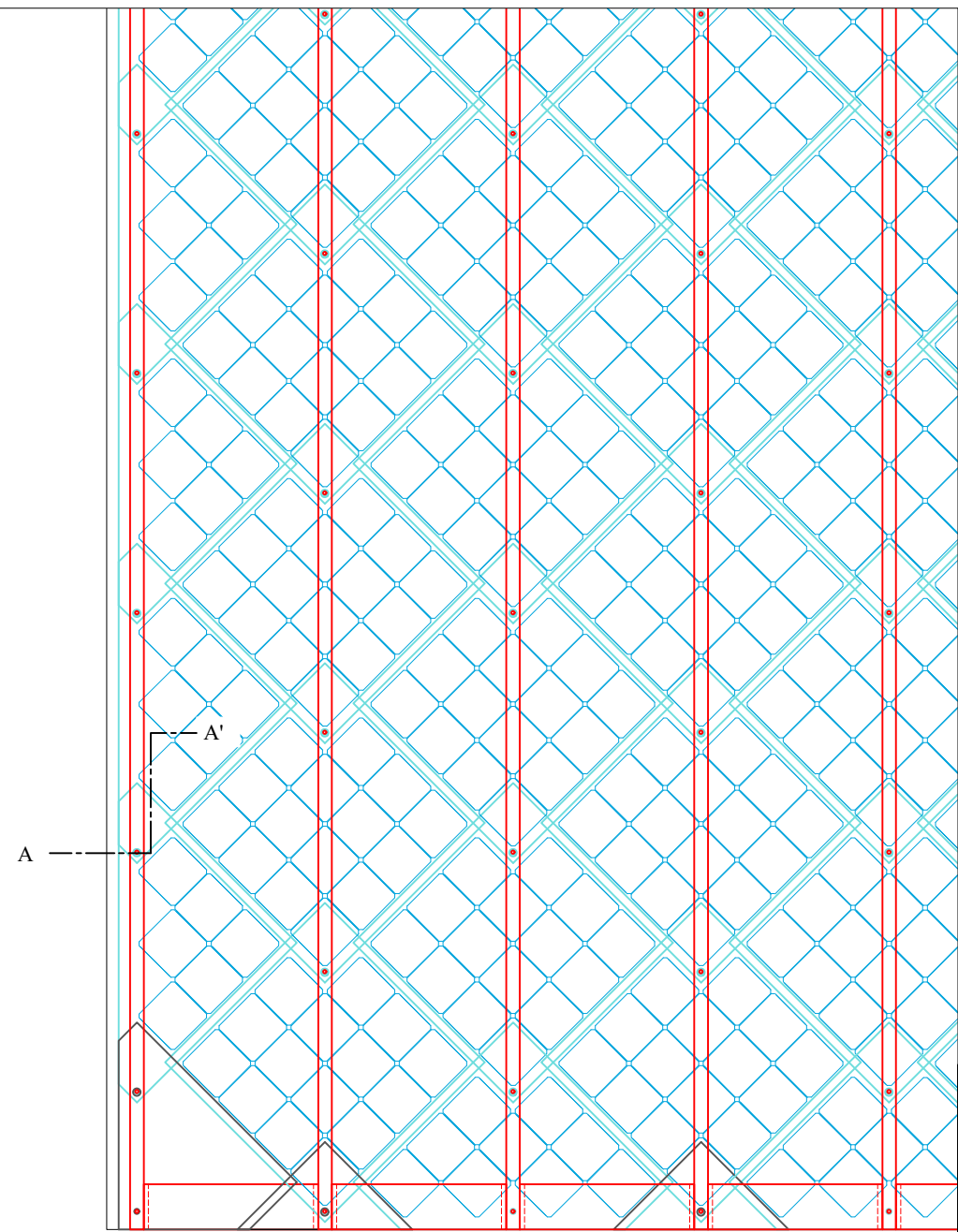
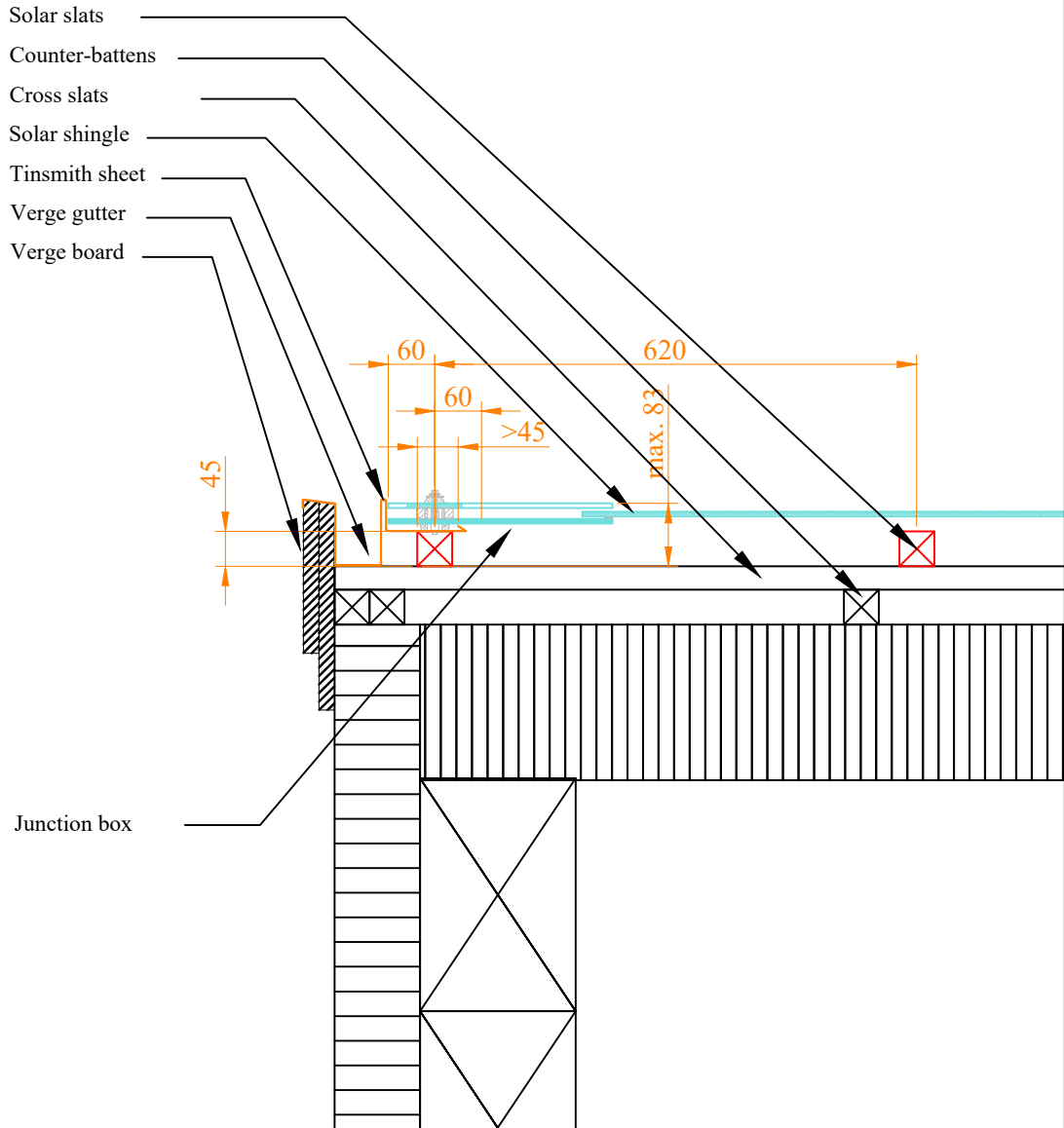


All rights to this drawing remain with SUNSTYLE. Violations will result in legal action.

Ridge or aris designed as gutter

Cut view A-A'

Detail proposal

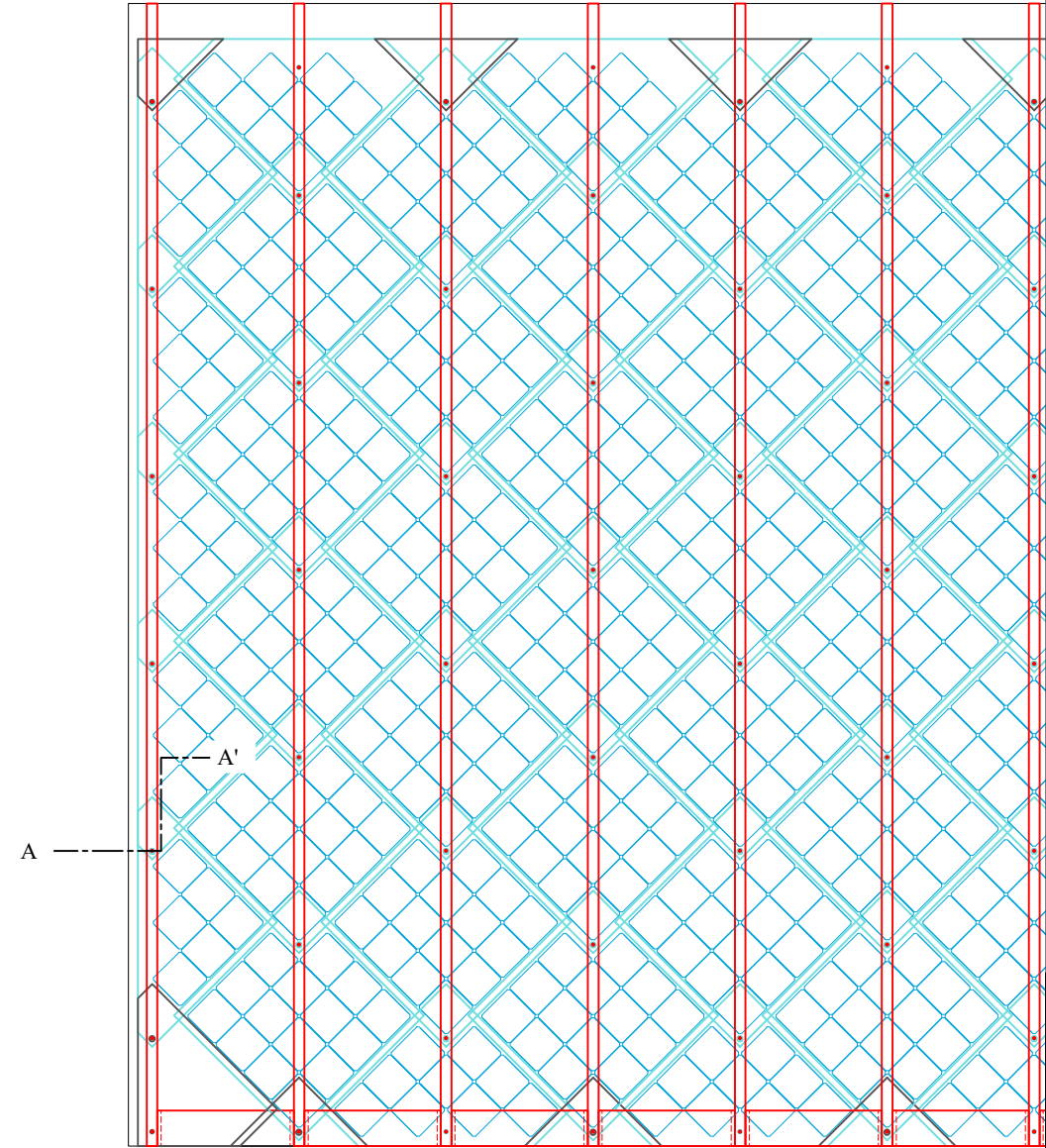
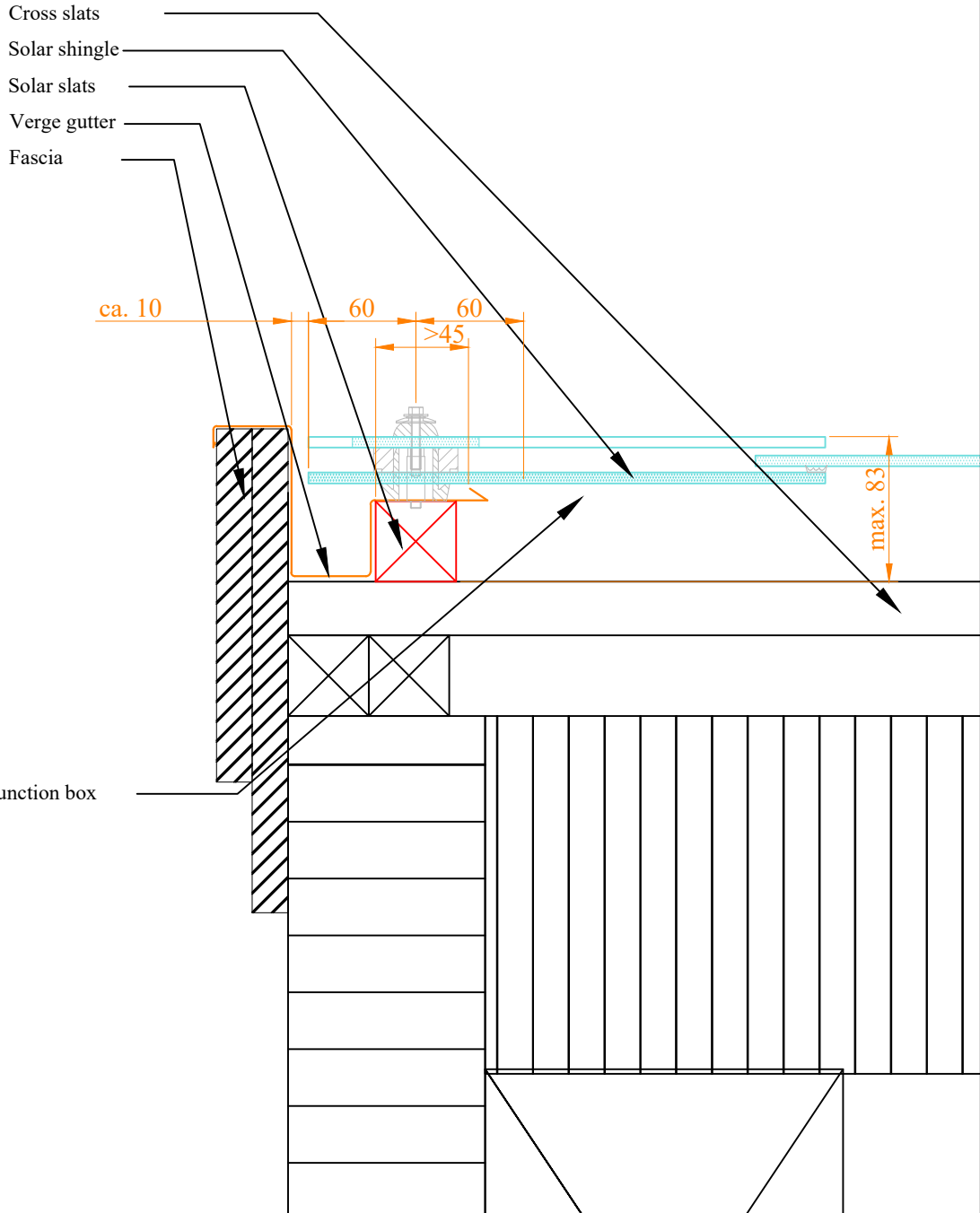


All rights to this drawing remain with SUNSTYLE. Violations will result in legal action.

Verge closure with open channel

Cut view A-A'

Detail proposal



All rights to this drawing remain with SUNSTYLE. Violations will result in legal action.

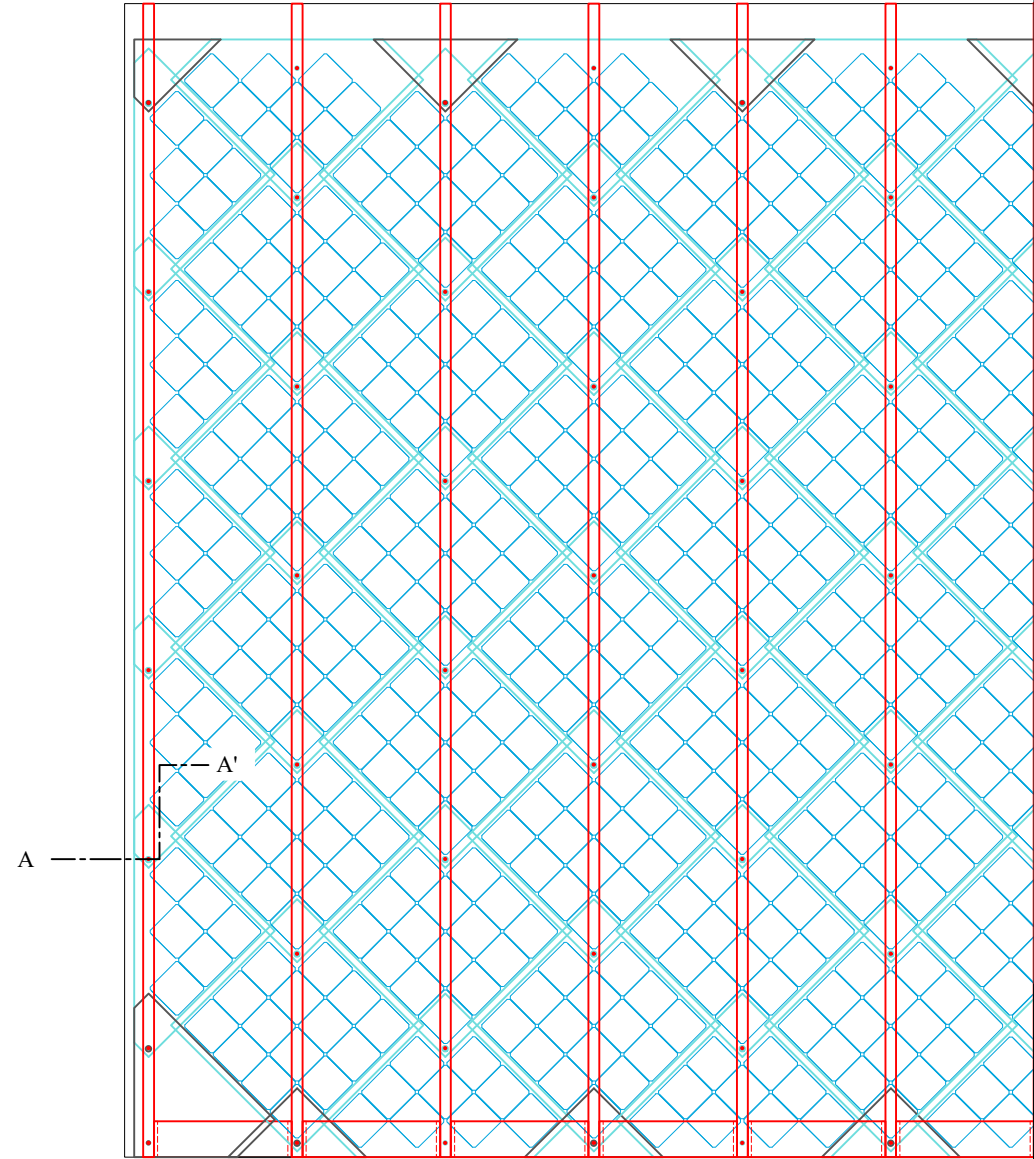
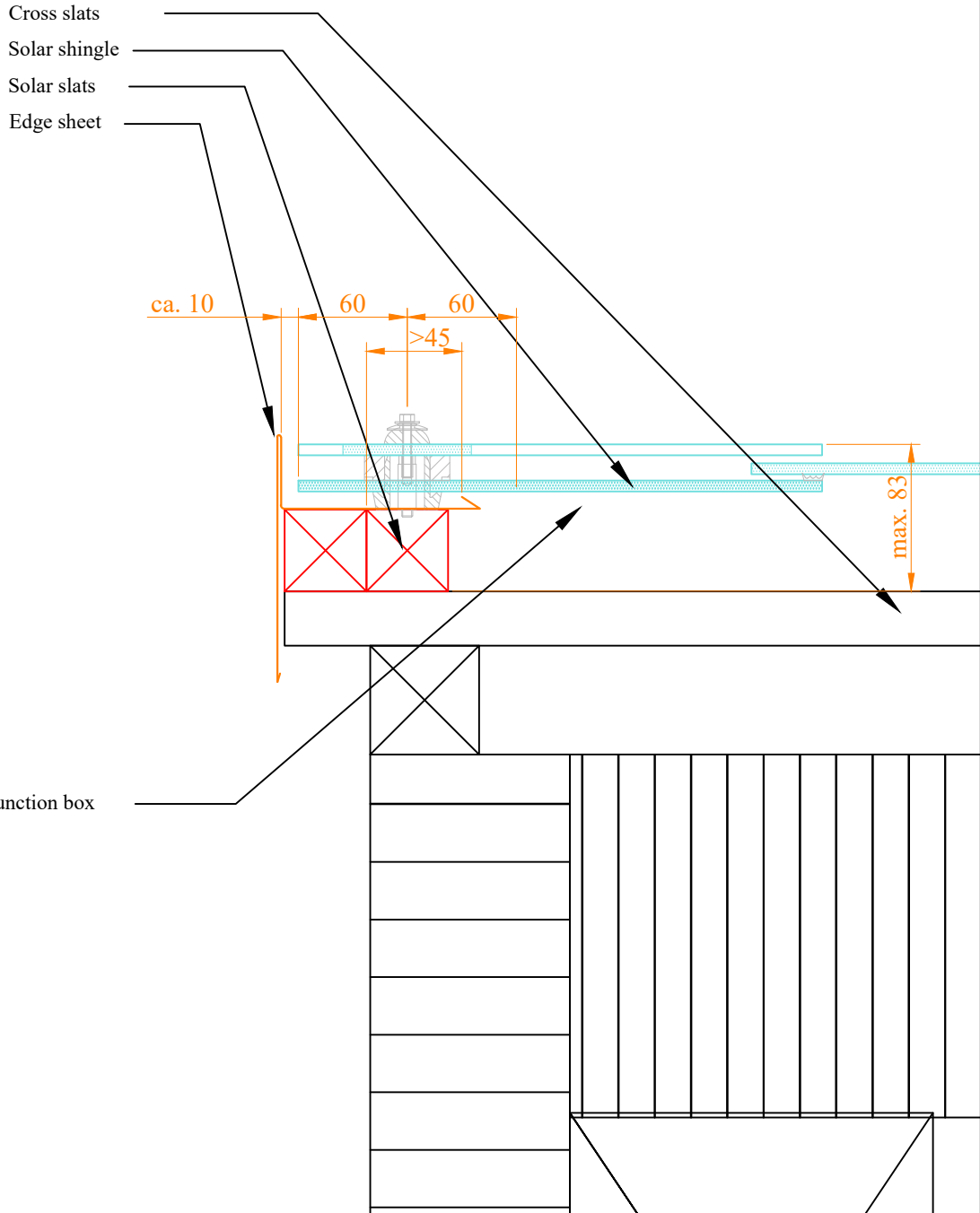
Verge closure with hidden gutter

21.05.2024
Version 745.05

MD
p. 15

Cut view A-A'

Detail proposal



All rights to this drawing remain with SUNSTYLE. Violations will result in legal action.

Verge closure without gutter

21.05.2024

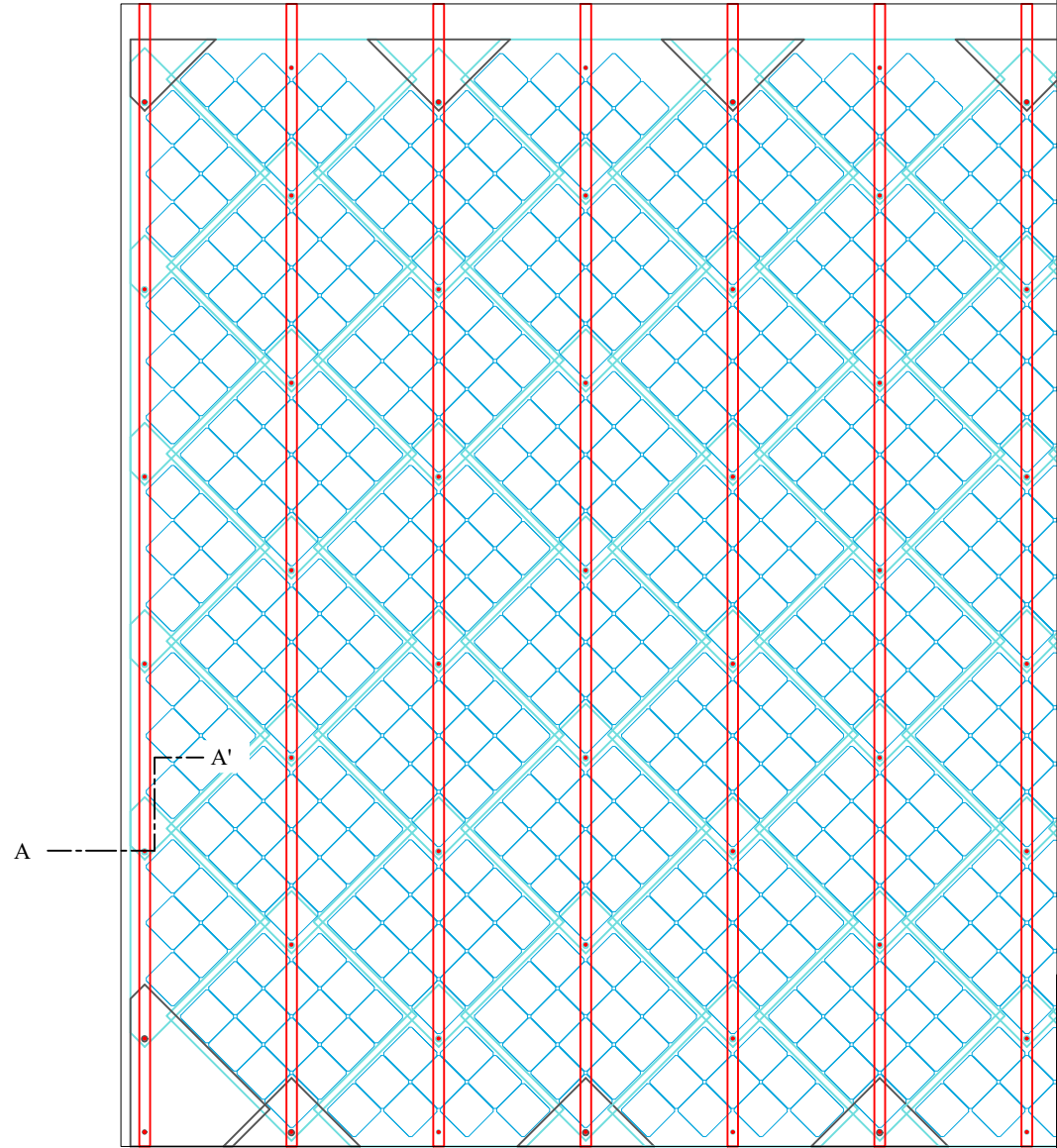
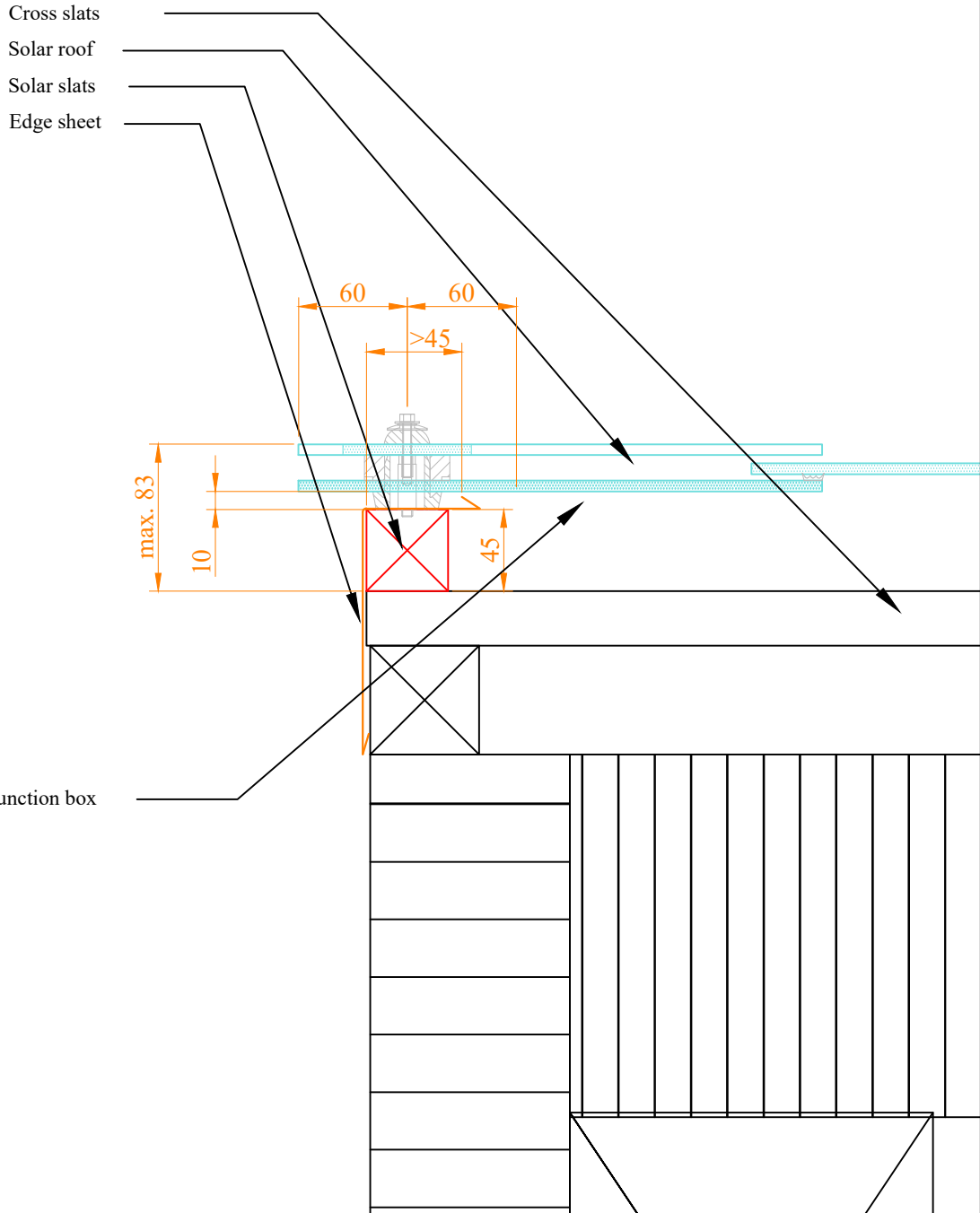
Version 745.05

MD

p. 16

Cut view A-A'

Detail proposal



All rights to this drawing remain with SUNSTYLE. Violations will result in legal action.

Verge closure overhanging

21.05.2024

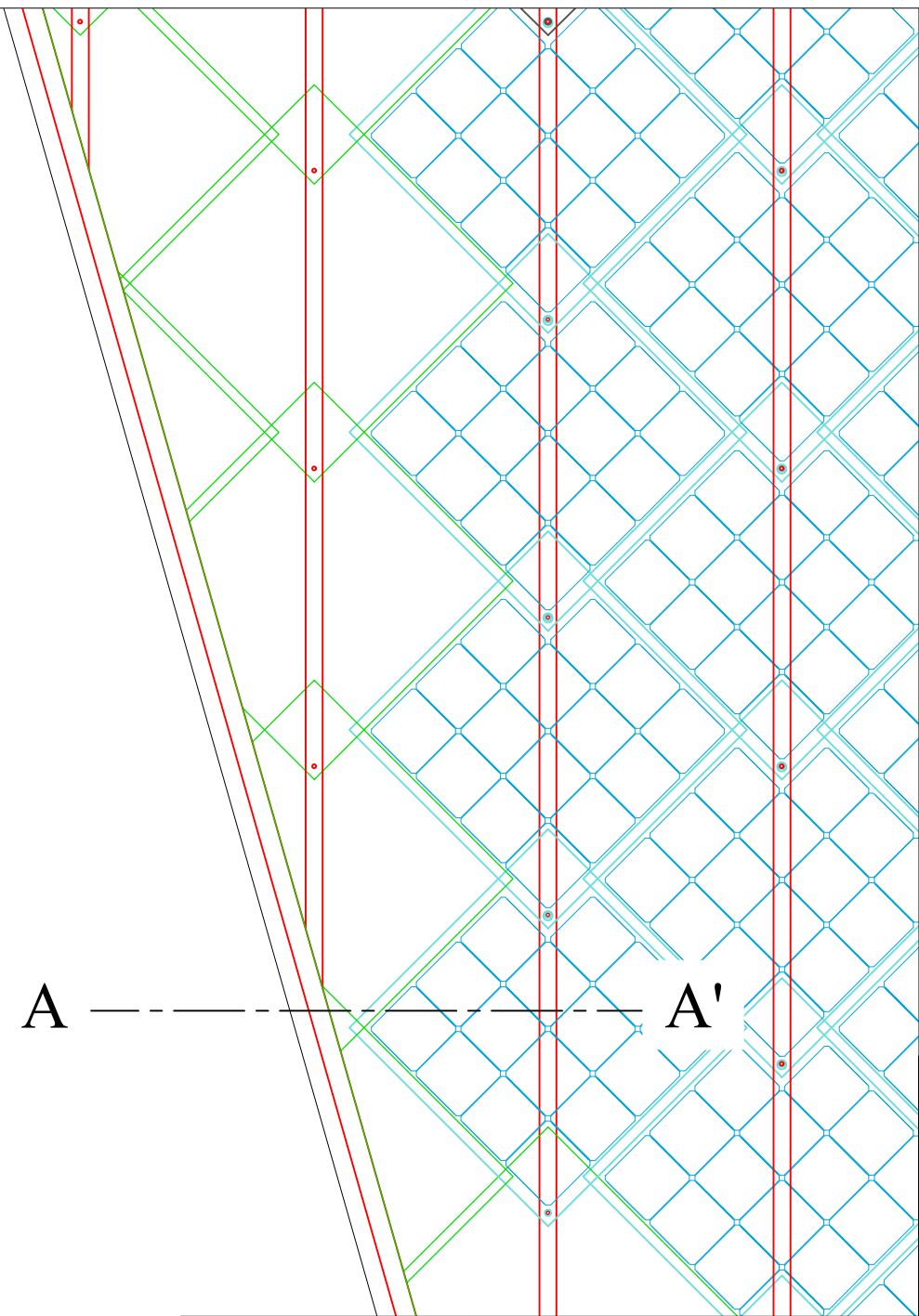
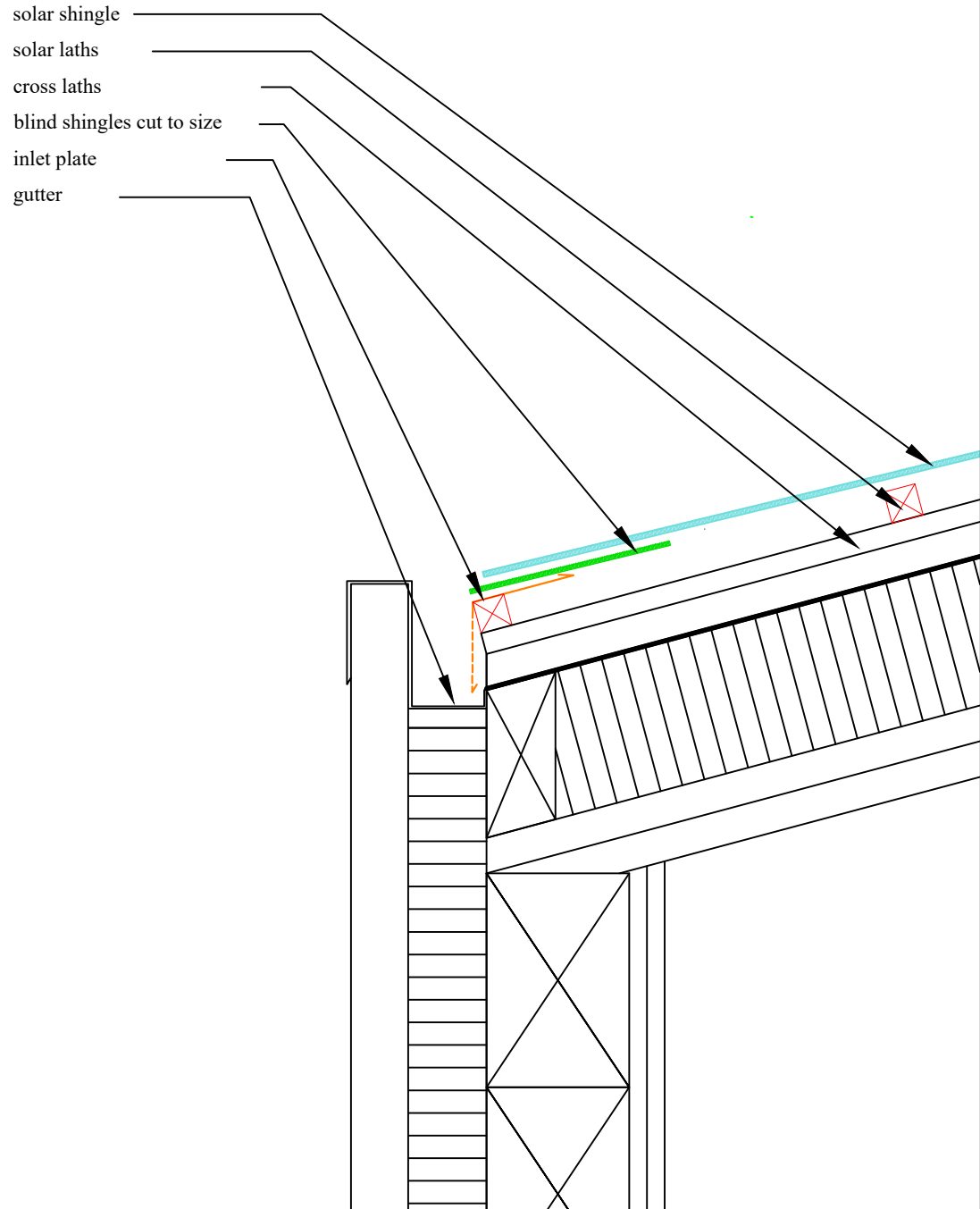
Version 745.05

MD

p. 17

Cut view A-A'

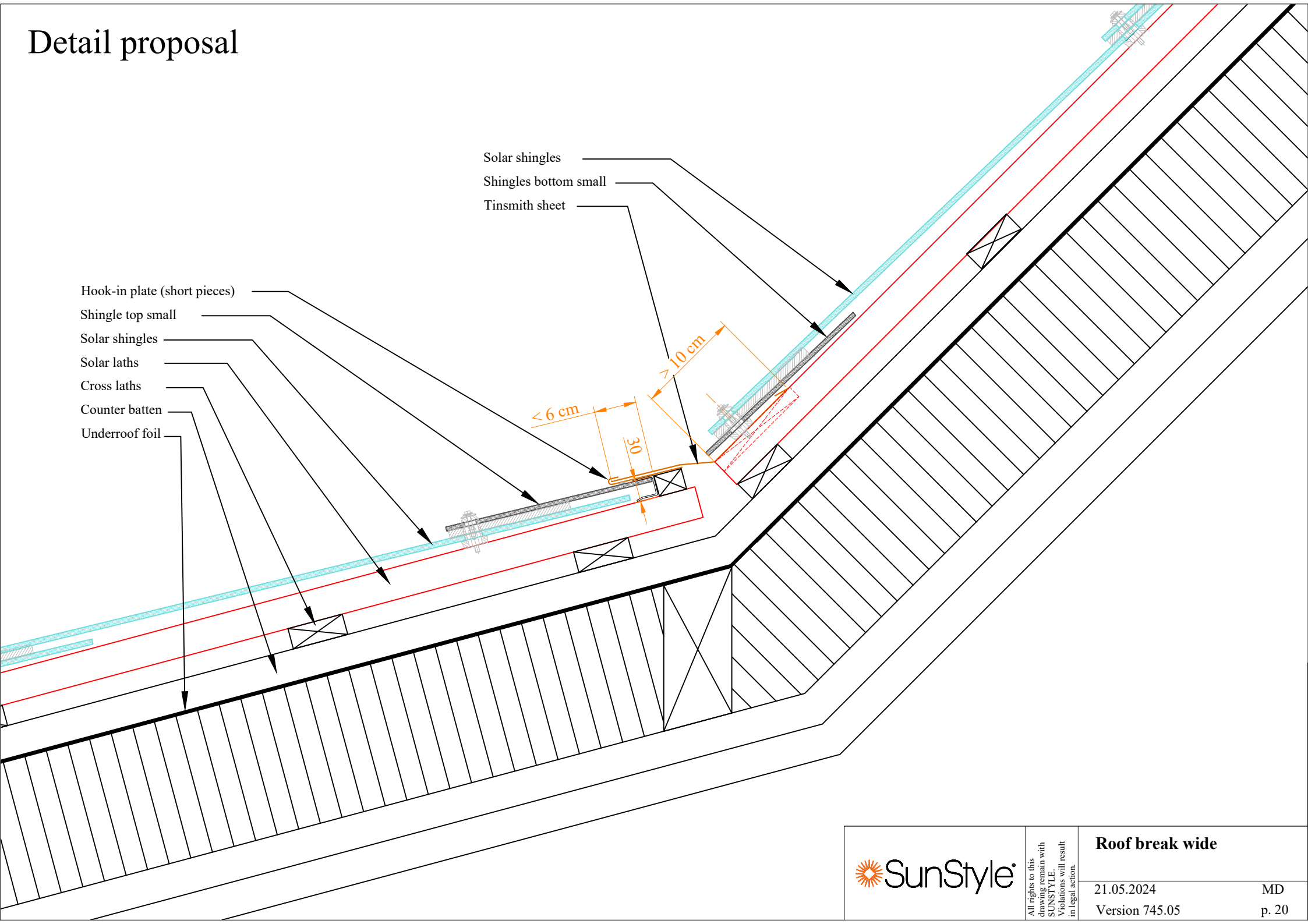
Detail proposal

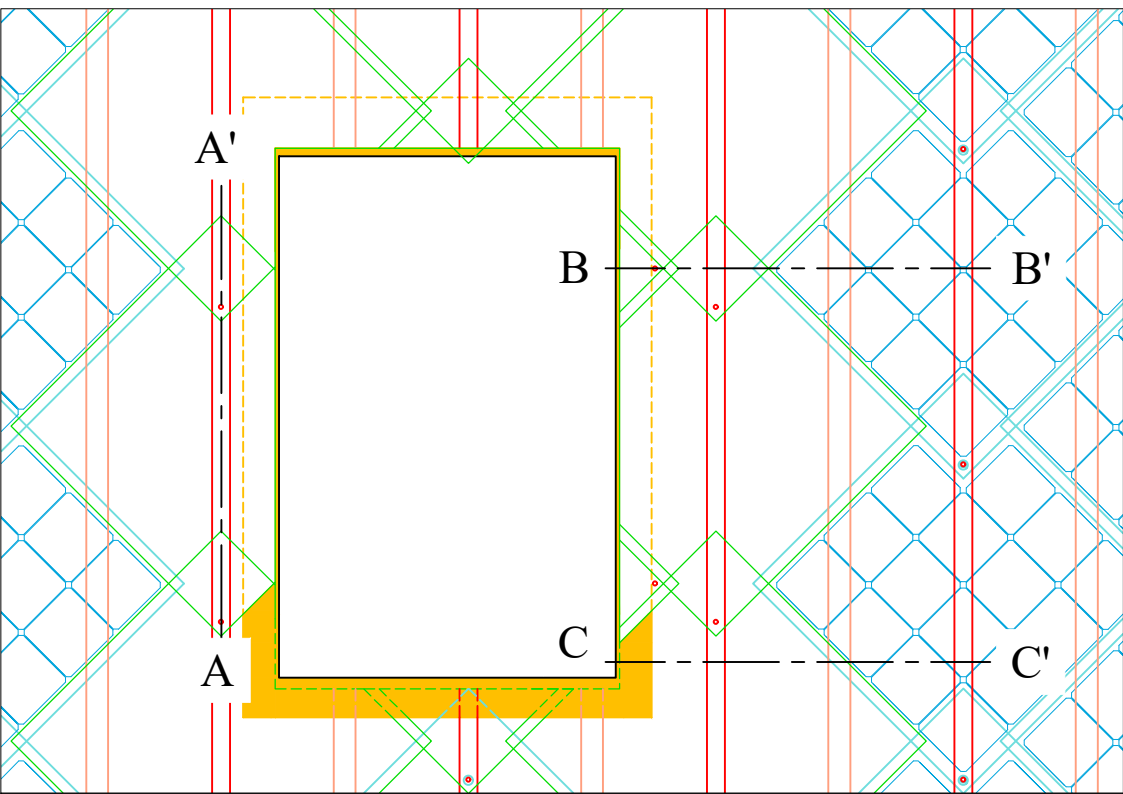


All rights to this drawing remain with SUNSTYLE. Violations will result in legal action.

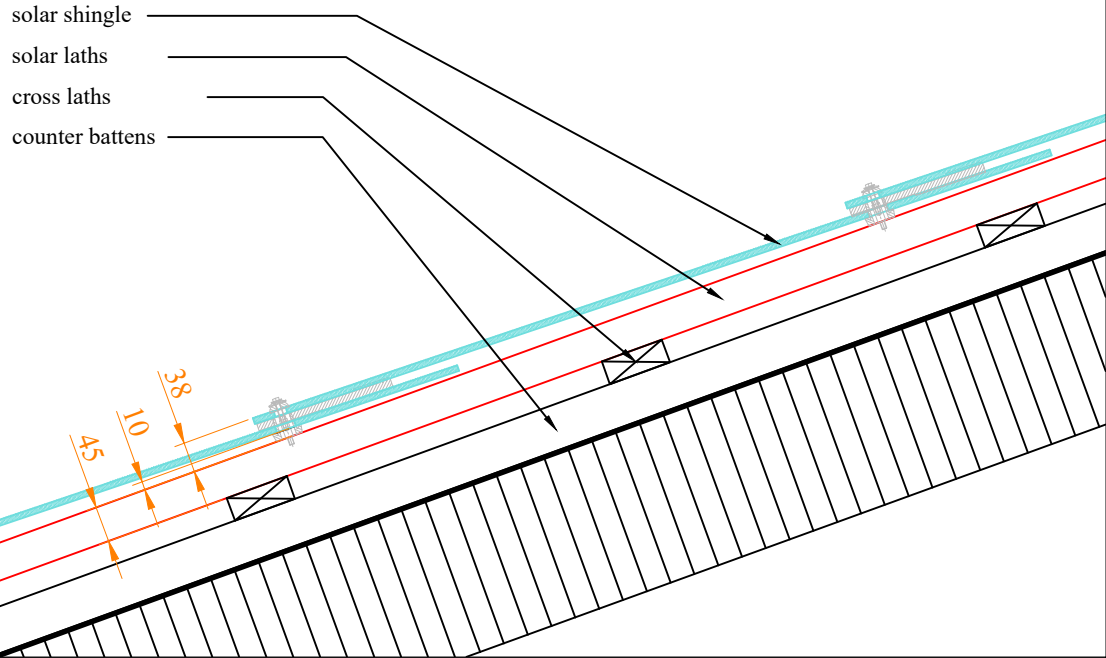
Non-right-angled verge

Detail proposal

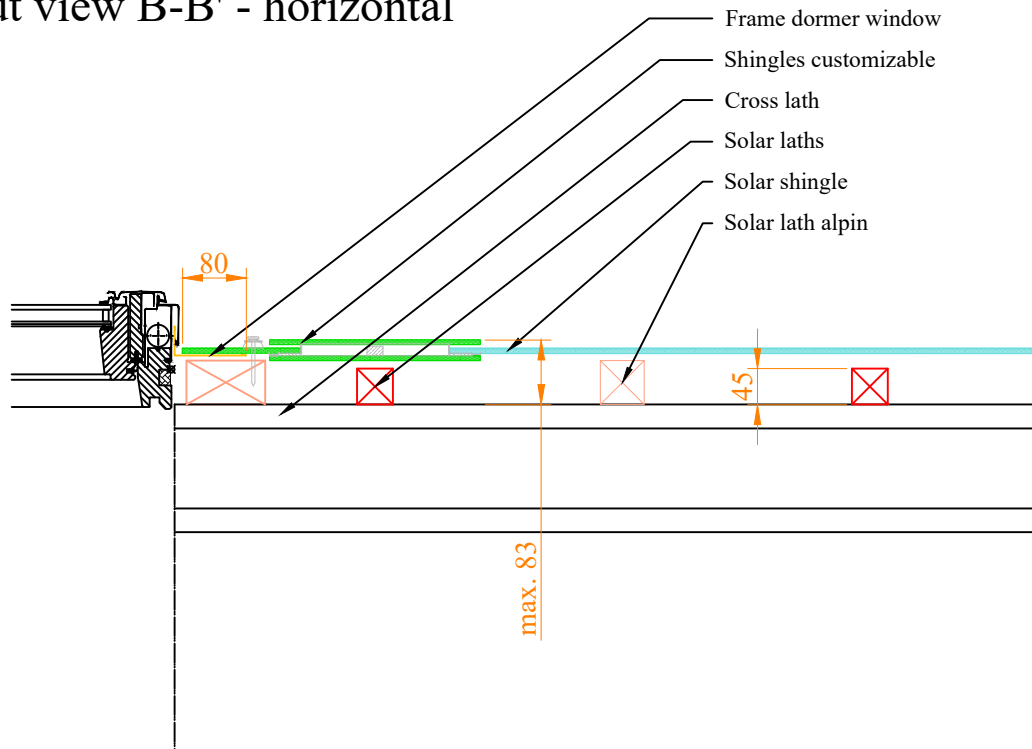




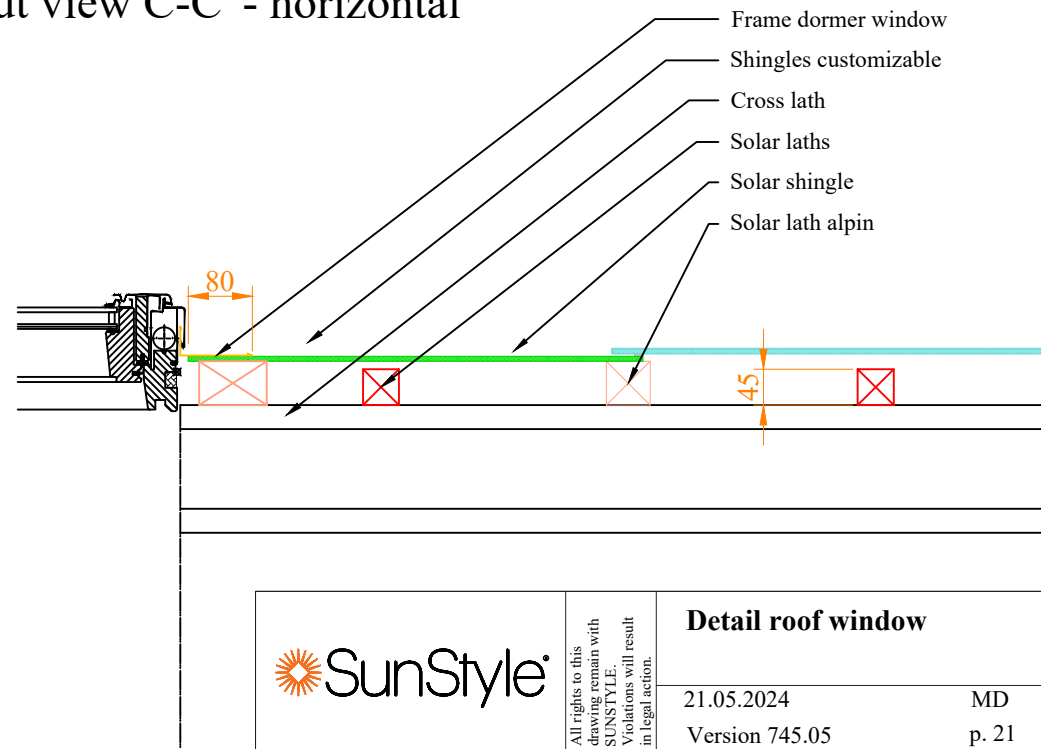
Cut view A-A' - vertical



Cut view B-B' - horizontal



Cut view C-C' - horizontal



All rights to this drawing remain with SUNSTYLE. Violations will result in legal action.

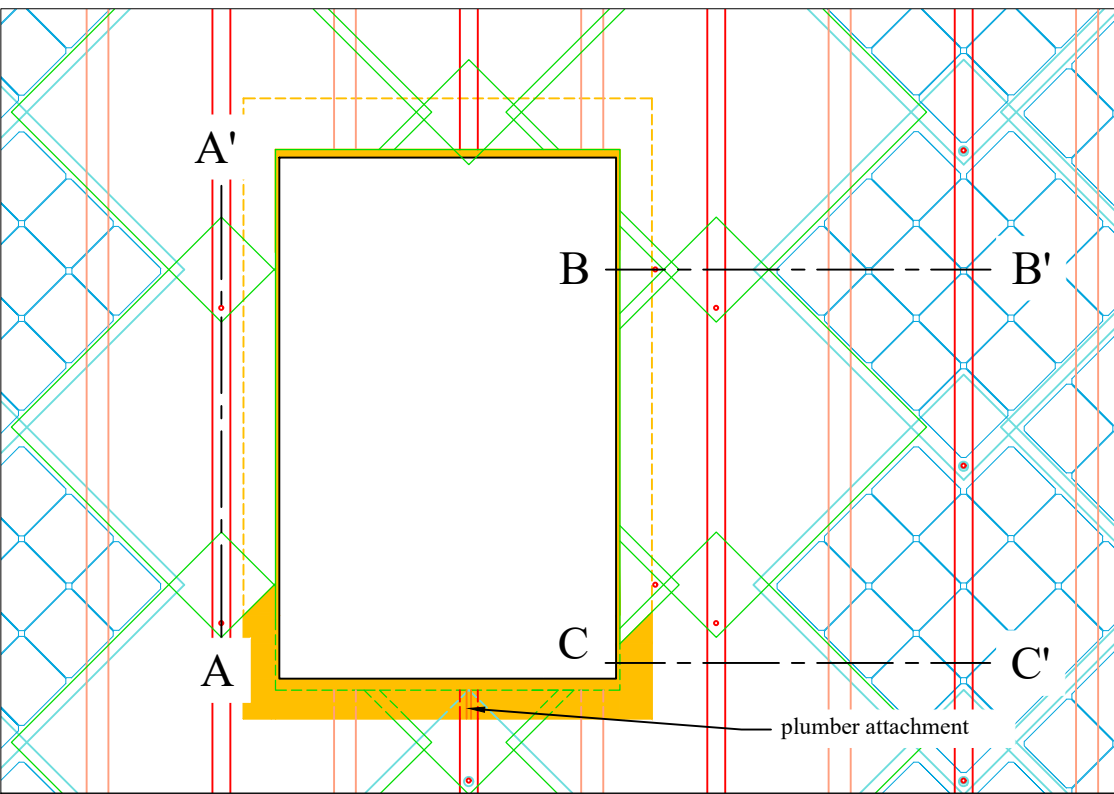
Detail roof window

21.05.2024

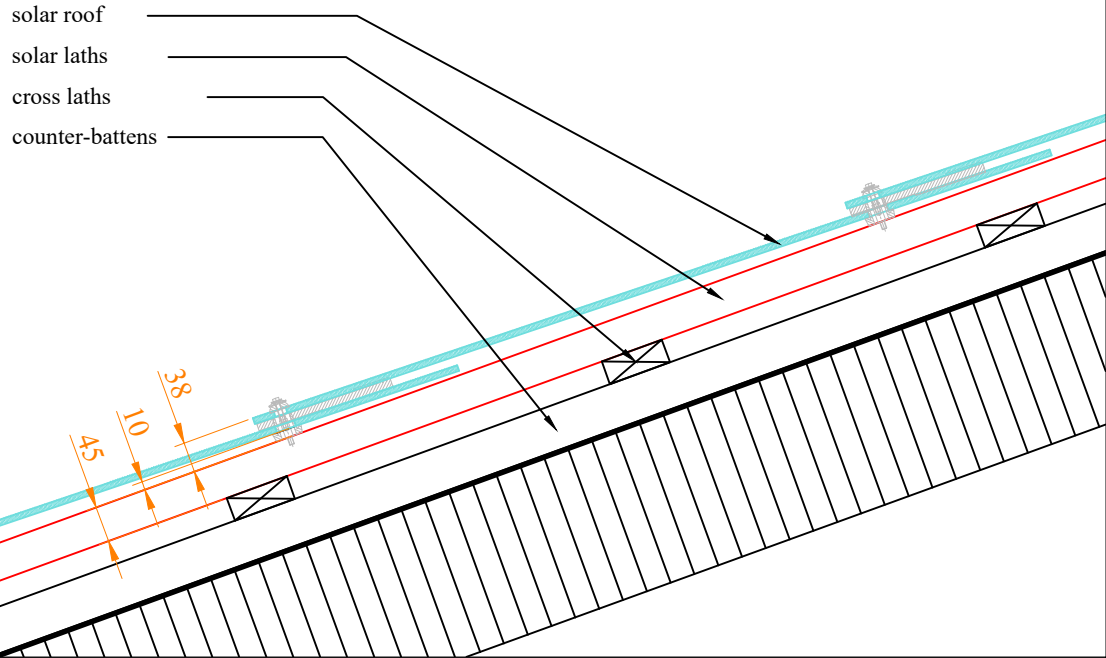
Version 745.05

MD

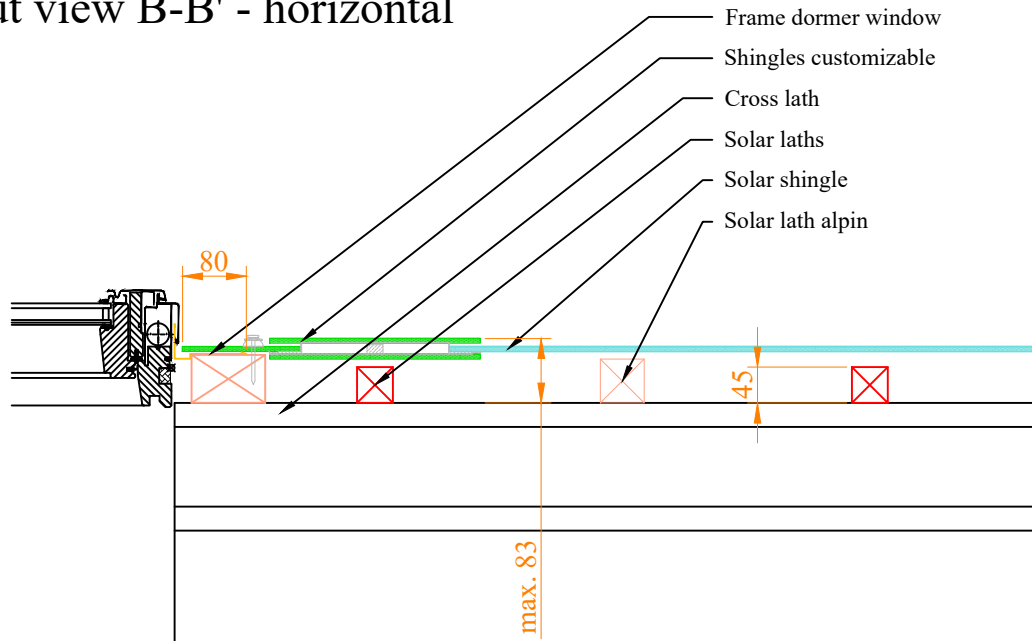
p. 21



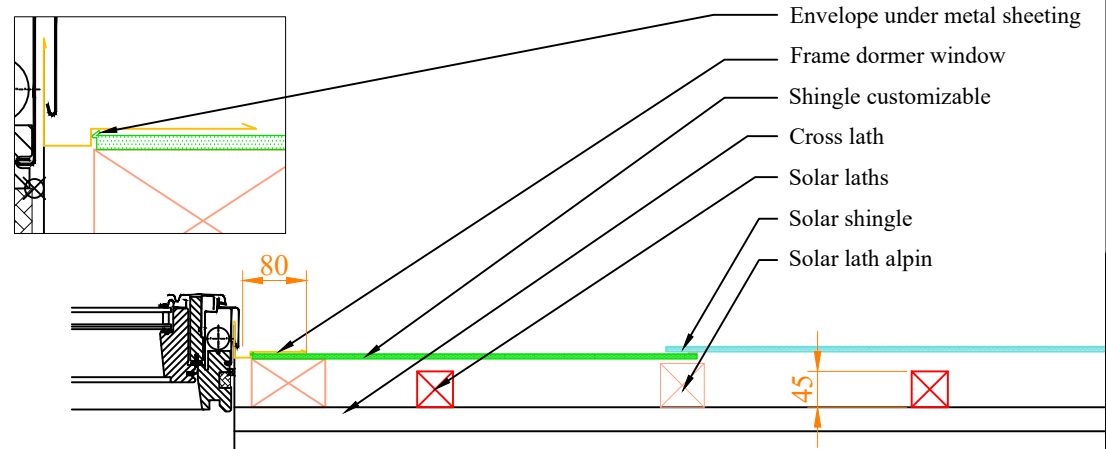
Cut view A-A' - vertical



Cut view B-B' - horizontal



Cut view C-C' - horizontal



All rights to this drawing remain with SUNSTYLE. Violations will result in legal action.

Detail roof window with gutter

21.05.2024

Version 745.05

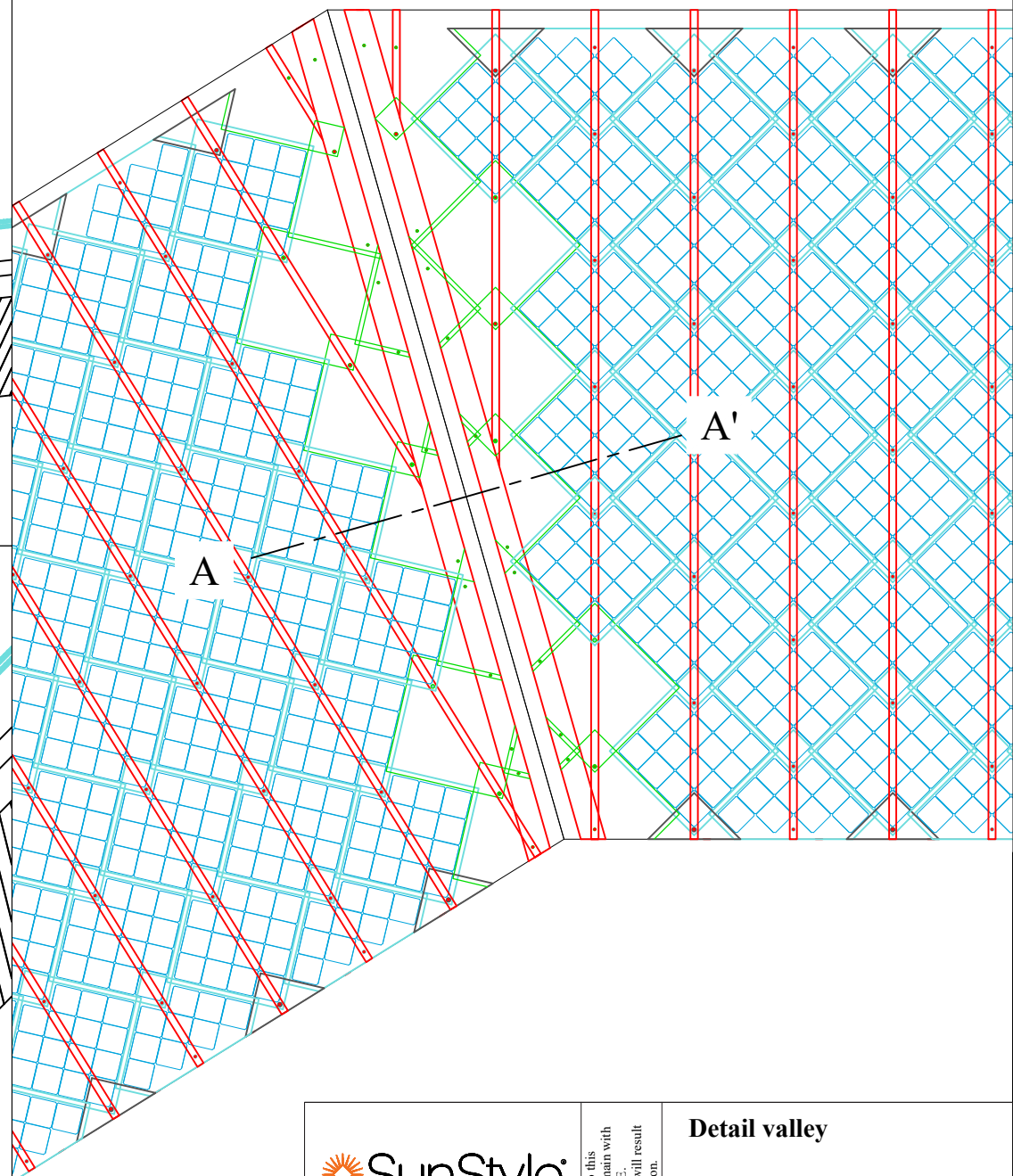
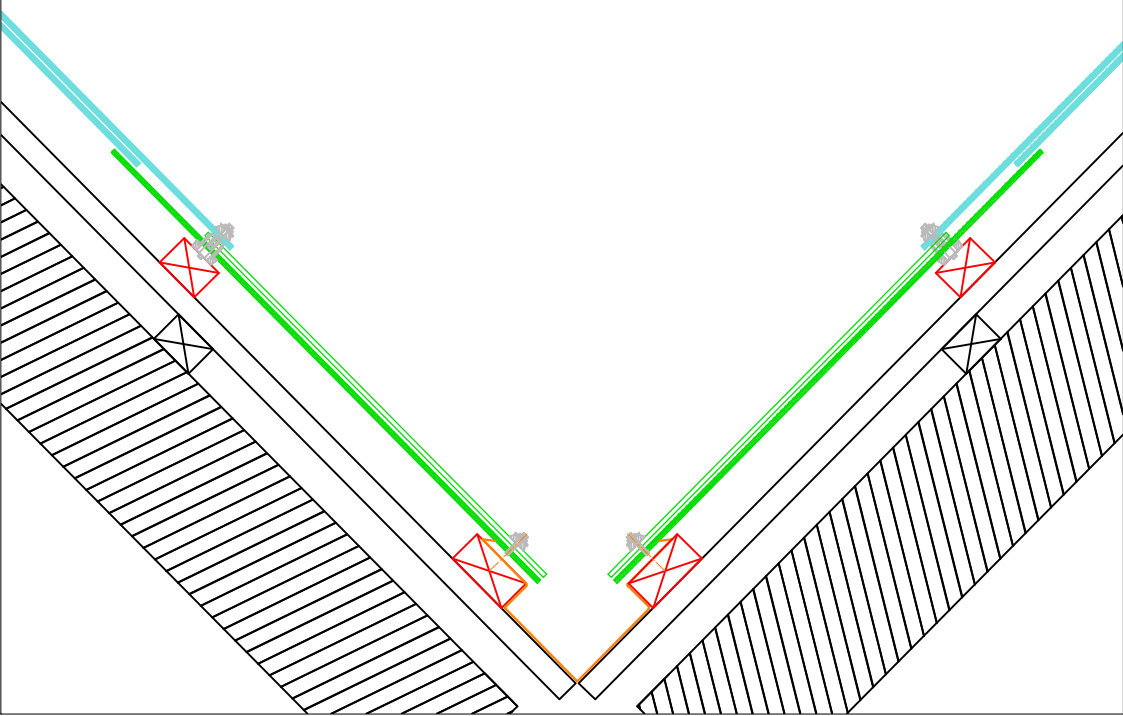
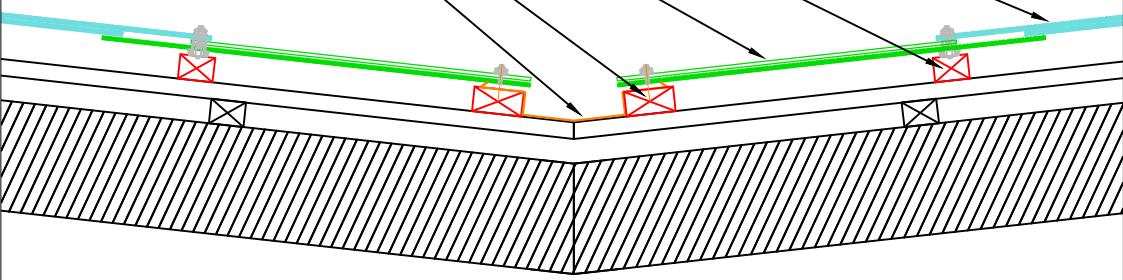
MD

p. 22

Cut view A-A'

Detail proposal

- solar shingle
- solar laths
- ajustable shingle
- additional lath
- gutter



All rights to this drawing remain with SUNSTYLE. Violations will result in legal action.

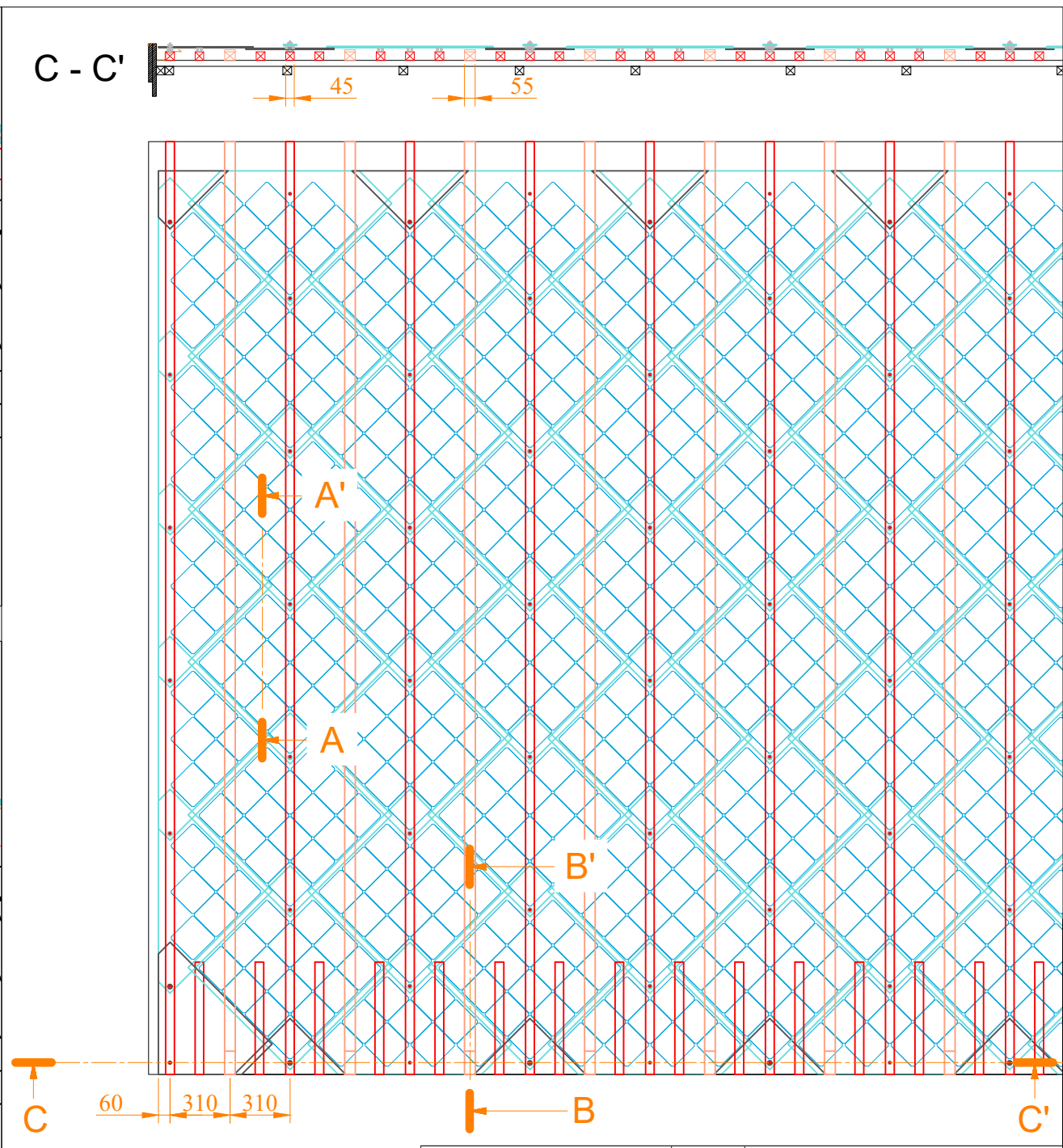
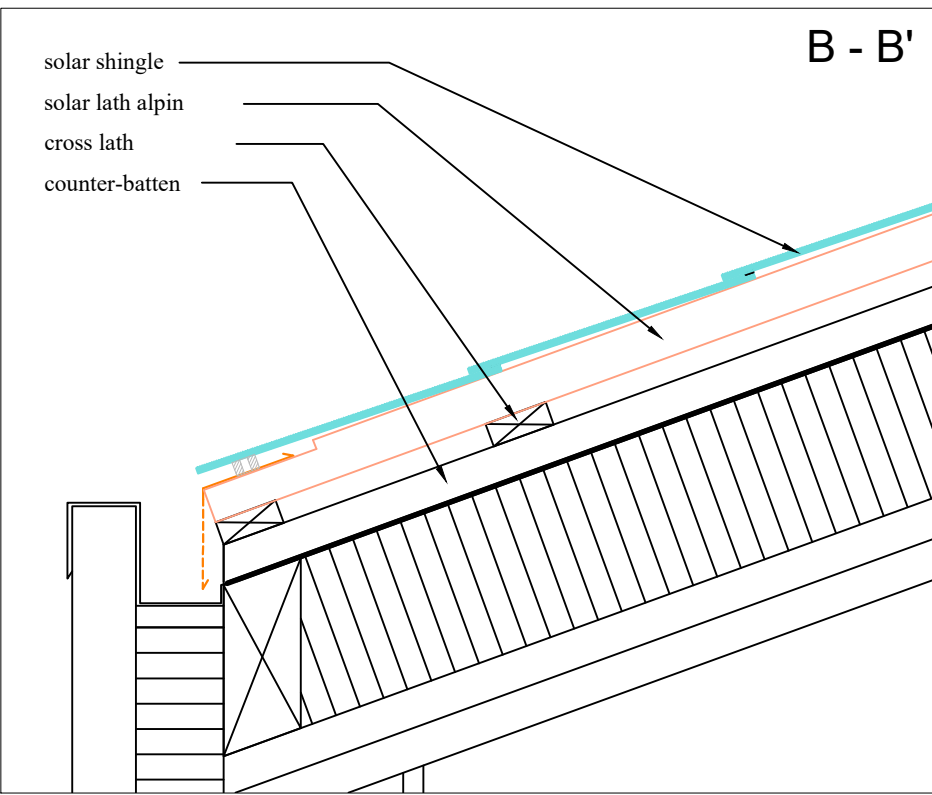
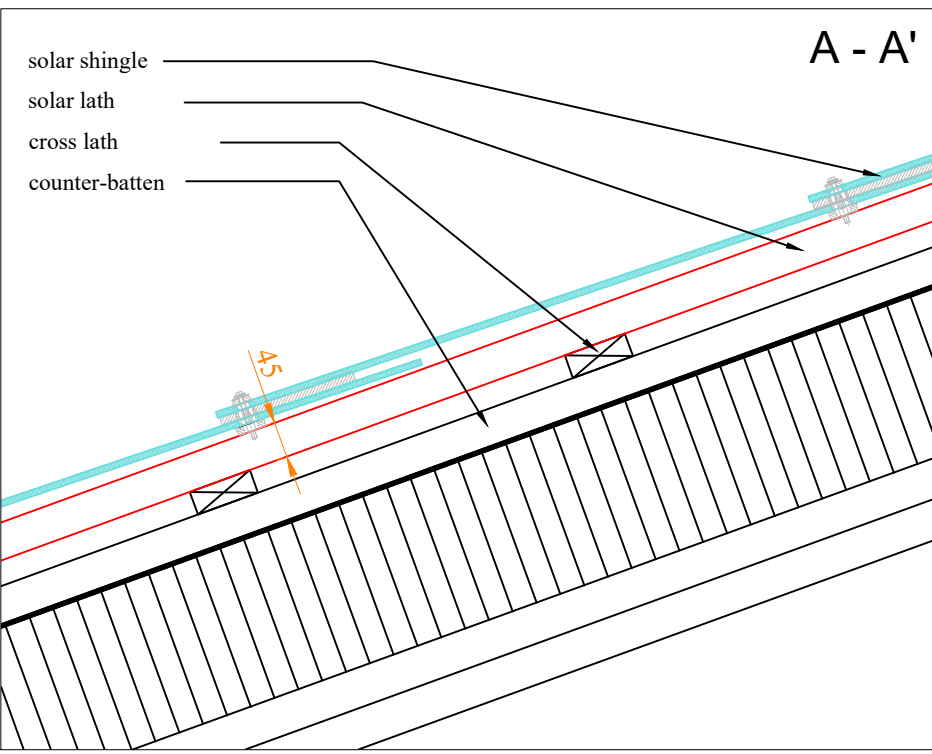
Detail valley

21.05.2024

Version 745.05

MD

p. 23



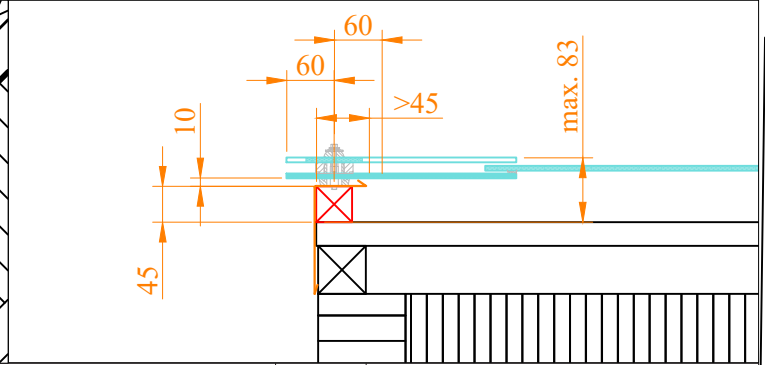
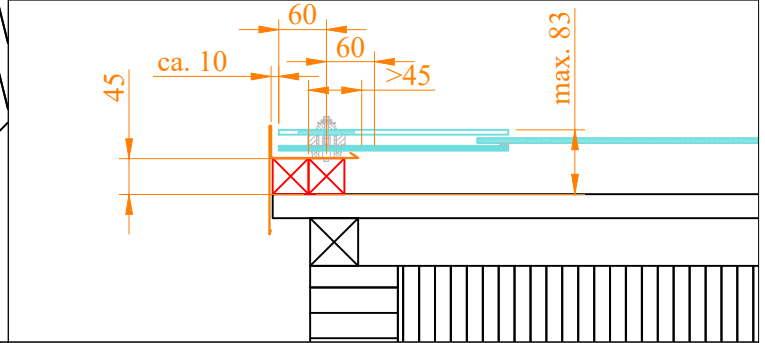
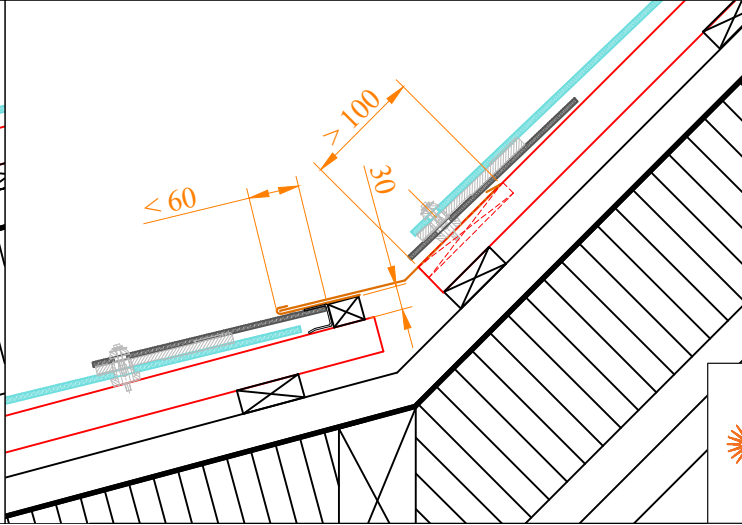
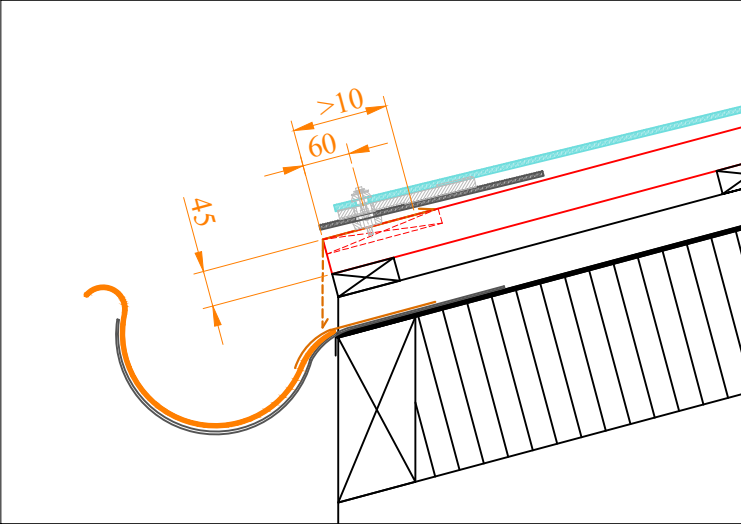
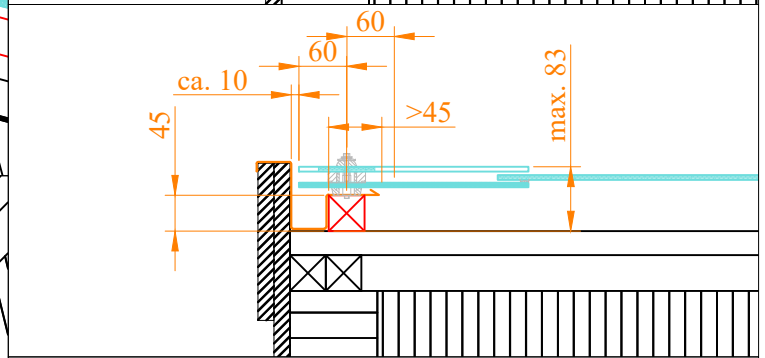
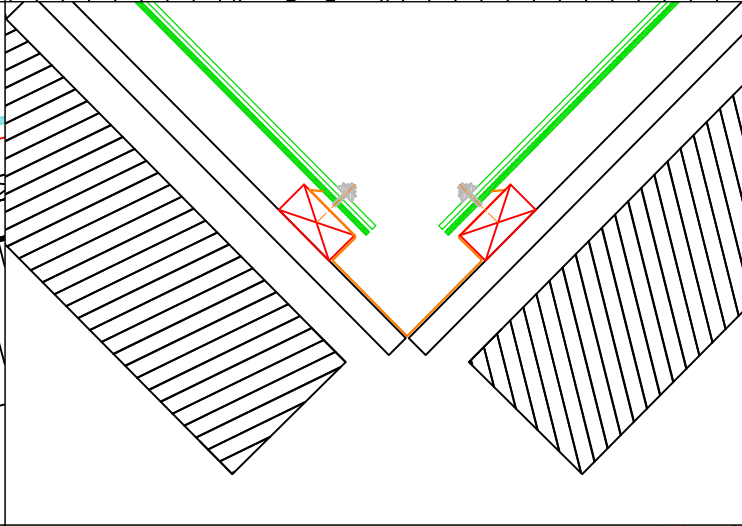
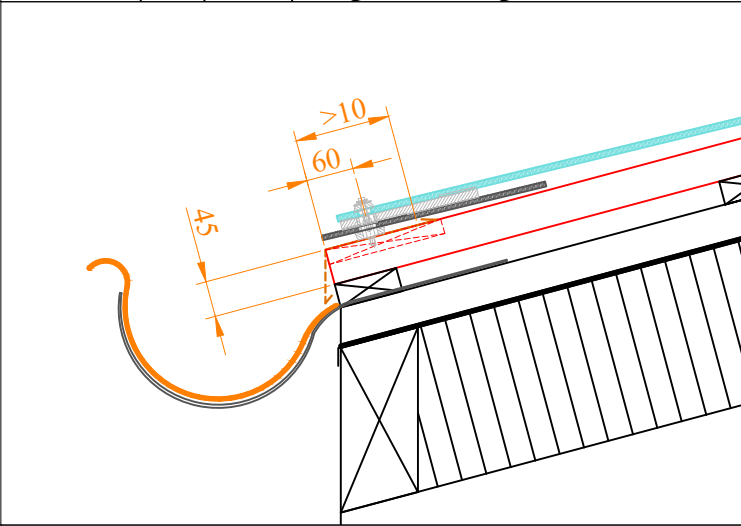
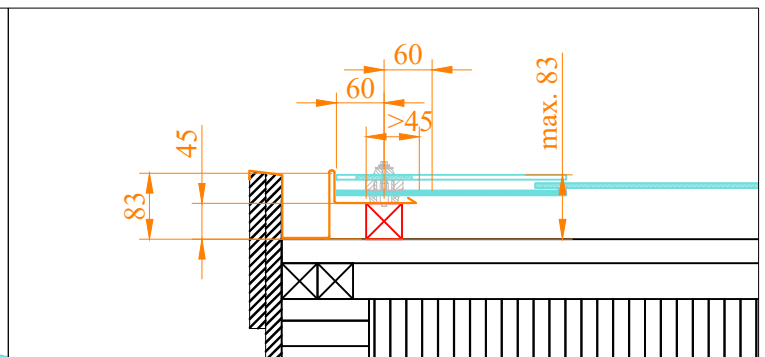
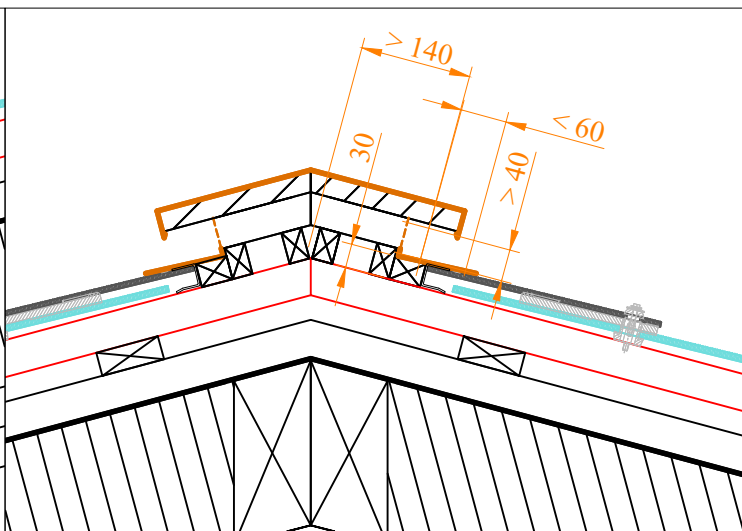
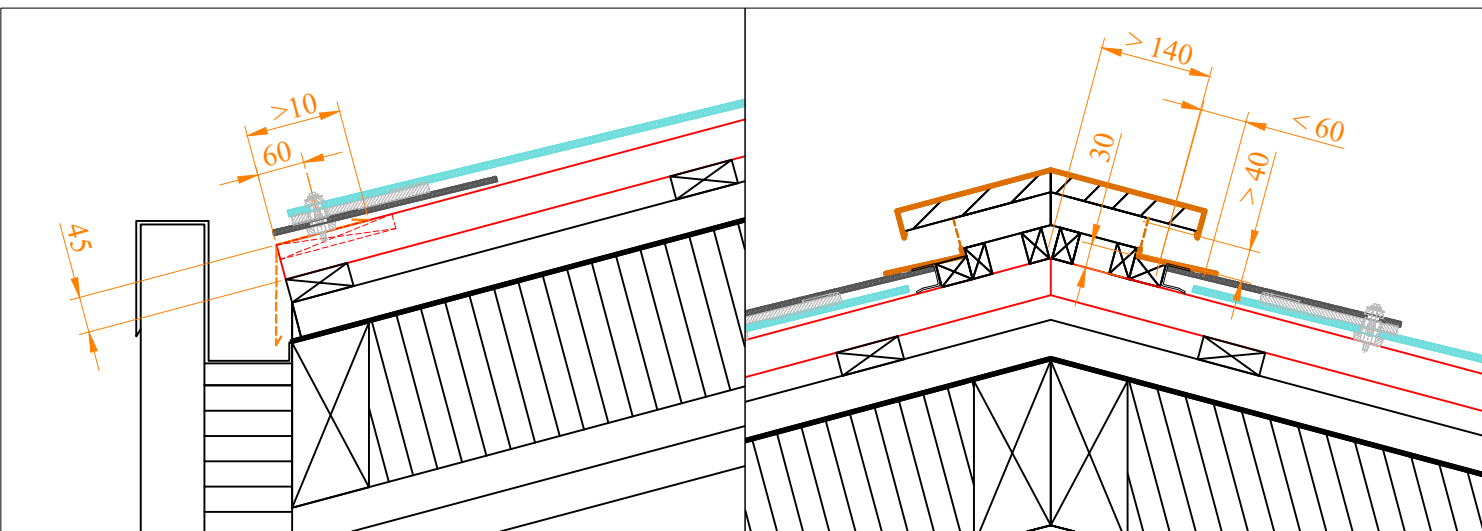
Solar substructure
(project-specific)



All rights to this drawing remain with SUNSTYLE. Violations will result in legal action.

**Substructure Alpin:
Solar wooden latching**

21.05.2024 MD
Version 745.05 p. 24



All rights to this drawing remain with SUNSTYLE. Violations will result in legal action.

**Proposals edge finishes
Extract**